



# 9 INCH (229MM) BENCH BAND SAW

## INSTRUCTION MANUAL



CATALOG NO.  
BDBS100

THANK YOU FOR CHOOSING BLACK & DECKER!  
GO TO [WWW.BLACKANDDECKER.COM/NEWOWNER](http://WWW.BLACKANDDECKER.COM/NEWOWNER)  
TO REGISTER YOUR NEW PRODUCT.

**BEFORE RETURNING THIS PRODUCT  
FOR ANY REASON PLEASE CALL  
1-800-544-6986**

BEFORE YOU CALL, HAVE THE FOLLOWING INFORMATION AVAILABLE, CATALOG No., TYPE No., AND DATE CODE . IN MOST CASES, A **BLACK & DECKER** REPRESENTATIVE CAN RESOLVE THE PROBLEM OVER THE PHONE. IF YOU HAVE A SUGGESTION OR COMMENT, GIVE US A CALL. YOUR FEEDBACK IS VITAL TO BLACK & DECKER.

**SAVE THIS MANUAL FOR FUTURE REFERENCE.**

**VEA EL ESPAÑOL EN LA CONTRAPORTADA.**

**POUR LE FRANÇAIS, VOIR LA COUVERTURE ARRIÈRE.**

INSTRUCTIVO DE OPERACIÓN, CENTROS DE SERVICIO Y  
PÓLIZA DE GARANTÍA. **ADVERTENCIA:** LEASE ESTE  
INSTRUCTIVO ANTES DE USAR EL PRODUCTO.

## SAFETY GUIDELINES - DEFINITIONS

It is important for you to read and understand this manual.

The information it contains relates to protecting YOUR SAFETY and PREVENTING PROBLEMS. The symbols below are used to help you recognize this information.

**⚠ DANGER:** Indicates an imminently hazardous situation which, if not avoided, will result in death or serious injury.

**⚠ WARNING:** Indicates a potentially hazardous situation which, if not avoided, could result in death or serious injury.

**⚠ CAUTION:** Indicates a potentially hazardous situation which, if not avoided, may result in minor or moderate injury.

**CAUTION:** Used without the safety alert symbol indicates a potentially hazardous situation which, if not avoided, may result in property damage.

**⚠ WARNING: Some dust created by power sanding, sawing, grinding, drilling, and other construction activities contains chemicals known to cause cancer, birth defects or other reproductive harm.** Some examples of these chemicals are:

- lead from lead-based paints,
- crystalline silica from bricks and cement and other masonry products, and
- arsenic and chromium from chemically-treated lumber (CCA).

Your risk from these exposures varies, depending on how often you do this type of work. To reduce your exposure to these chemicals: work in a well ventilated area, and work with approved safety equipment, such as those dust masks that are specially designed to filter out microscopic particles.

- Avoid prolonged contact with dust from power sanding, sawing, grinding, drilling, and other construction activities. Wear protective clothing and wash exposed areas with soap and water. Allowing dust to get into your mouth, eyes, or lay on the skin may promote absorption of harmful chemicals.

**⚠ WARNING: Use of this tool can generate and/or disperse dust, which may cause serious and permanent respiratory or other injury.** Always use NIOSH/OSHA approved respiratory protection appropriate for the dust exposure. Direct particles away from face and body.

**⚠ CAUTION: Wear appropriate hearing protection during use.** Under some conditions and duration of use, noise from this product may contribute to hearing loss.

## GENERAL SAFETY RULES



**⚠ WARNING: READ ALL INSTRUCTIONS BEFORE OPERATING PRODUCT. FAILURE TO FOLLOW ALL INSTRUCTIONS LISTED BELOW MAY RESULT IN ELECTRIC SHOCK, FIRE AND OR SERIOUS INJURY.**

## IMPORTANT SAFETY INSTRUCTIONS

Woodworking can be dangerous if safe and proper operating procedures are not followed. As with all machinery, there are certain hazards involved with the operation of the product. Using the machine with respect and caution will considerably lessen the possibility of personal injury. However, if normal safety precautions are overlooked or ignored, personal injury to the operator may result. Safety equipment such as guards, push sticks, hold-downs, featherboards, goggles, dust masks and hearing protection can reduce your potential for injury. But even the best guard won't make up for poor judgment, carelessness or inattention. Always use common sense and exercise caution in the workshop. If a procedure feels dangerous, don't try it. Figure out an alternative procedure that feels safer. **REMEMBER:** Your personal safety is your responsibility.

- 1. FOR YOUR OWN SAFETY, READ THE INSTRUCTION MANUAL BEFORE OPERATING THE MACHINE.** Learning the machine's application, limitations, and specific hazards will greatly minimize the possibility of accidents and injury.
- 2. USE CERTIFIED SAFETY EQUIPMENT.** Eye protection equipment should comply with ANSI Z87.1 standards, hearing equipment should comply with ANSI S3.19 standards, and dust mask protection should comply with MSHA/NIOSH certified respirator standards. Splinters, airborne debris, and dust can cause irritation, injury, and/or illness.
- 3. DRESS PROPERLY.** Do not wear tie, gloves, or loose clothing. Remove watch, rings, and other jewelry. Roll up your sleeves. Clothing or jewelry caught in moving parts can cause injury.
- 4. DO NOT USE THE MACHINE IN A DANGEROUS ENVIRONMENT.** The use of power tools in damp or wet locations or in rain can cause shock or electrocution. Keep your work area well-lit to prevent tripping or placing arms, hands, and fingers in danger.
- 5. MAINTAIN ALL TOOLS AND MACHINES IN PEAK CONDITION.** Keep tools sharp and clean for best and safest performance. Follow instructions for lubricating and changing accessories. Poorly maintained tools and machines can further damage the tool or machine and/or cause injury.
- 6. CHECK FOR DAMAGED PARTS.** Before using the machine, check for any damaged parts. Check for alignment of moving parts, binding of moving parts, breakage of parts, and any other conditions that may affect its operation. A guard or any other part that is damaged **should be properly repaired or replaced.** Damaged parts can cause further damage to the machine and/or injury.
- 7. KEEP THE WORK AREA CLEAN.** Cluttered areas and benches invite accidents.
- 8. KEEP CHILDREN AND VISITORS AWAY.** Your shop is a potentially dangerous environment. Children and visitors can be injured.
- 9. REDUCE THE RISK OF UNINTENTIONAL STARTING.** Make sure that the switch is in the "OFF" position before plugging in the power cord. In the event of a power failure, move the switch to the "OFF" position. An accidental start-up can cause injury.
- 10. USE THE GUARDS.** Check to see that all guards are in place, secured, and working correctly to prevent injury.
- 11. REMOVE ADJUSTING KEYS AND WRENCHES BEFORE STARTING THE MACHINE.** Tools, scrap pieces, and other debris can be thrown at high speed, causing injury.
- 12. USE THE RIGHT MACHINE.** Don't force a machine or an attachment to do a job for which it was not designed. Damage to the machine and/or injury may result.
- 13. USE RECOMMENDED ACCESSORIES.** The use of accessories and attachments not recommended by Black & Decker may cause damage to the machine or injury to the user.

14. **USE THE PROPER EXTENSION CORD.** Make sure your extension cord is in good condition. When using an extension cord, be sure to use one heavy enough to carry the current your product will draw. An undersized cord will cause a drop in line voltage, resulting in loss of power and overheating. See the Extension Cord Chart for the correct size depending on the cord length and nameplate ampere rating. If in doubt, use the next heavier gauge. The smaller the gauge number, the heavier the cord.
15. **SECURE THE WORKPIECE.** Use clamps or a vise to hold the workpiece when practical. Loss of control of a workpiece can cause injury.
16. **FEED THE WORKPIECE AGAINST THE DIRECTION OF THE ROTATION OF THE BLADE, CUTTER, OR ABRASIVE SURFACE.** Feeding it from the other direction will cause the workpiece to be thrown out at high speed.
17. **DON'T FORCE THE WORKPIECE ON THE MACHINE.** Damage to the machine and/or injury may result.
18. **DON'T OVERREACH.** Loss of balance can make you fall into a working machine, causing injury.
19. **NEVER STAND ON THE MACHINE.** Injury could occur if the tool tips, or if you accidentally contact the cutting tool.
20. **NEVER LEAVE THE MACHINE RUNNING UNATTENDED. TURN THE POWER OFF.** Don't leave the machine until it comes to a complete stop. A child or visitor could be injured.
21. **TURN THE MACHINE "OFF", AND DISCONNECT THE MACHINE FROM THE POWER SOURCE** before installing or removing accessories, before adjusting or changing set-ups, or when making repairs. An accidental start-up can cause injury.
22. **MAKE YOUR WORKSHOP CHILDPROOF WITH PADLOCKS, MASTER SWITCHES, OR BY REMOVING STARTER KEYS.** The accidental start-up of a machine by a child or visitor could cause injury.
23. **STAY ALERT, WATCH WHAT YOU ARE DOING, AND USE COMMON SENSE. DO NOT USE THE MACHINE WHEN YOU ARE TIRED OR UNDER THE INFLUENCE OF DRUGS, ALCOHOL, OR MEDICATION.** A moment of inattention while operating power tools may result in injury.
24. **THE DUST GENERATED** by certain woods and wood products can be injurious to your health. Always operate machinery in well-ventilated areas, and provide for proper dust removal. Use wood dust collection systems whenever possible.

### **ADDITIONAL SAFETY RULES FOR FOR BAND SAWS**

**⚠ WARNING: READ ALL INSTRUCTIONS BEFORE OPERATING PRODUCT. FAILURE TO FOLLOW ALL INSTRUCTIONS LISTED BELOW MAY RESULT IN ELECTRIC SHOCK, FIRE AND OR SERIOUS INJURY.**

1. **DO NOT OPERATE THIS MACHINE UNTIL** it is assembled and installed according to the instructions.
2. **OBTAIN ADVICE from your supervisor, instructor, or another qualified person** if you are not familiar with the operation of this tool.
3. **FOLLOW ALL WIRING CODES** and recommended electrical connections.
4. **ALWAYS USE BLADE GUARD.** Check to see that they are in place, properly adjusted, secured, and working correctly.
5. **USE PROPER BLADE SIZE** and type.
6. **ADJUST THE UPPER BLADE GUIDE** so that it is about 1/8" above the workpiece.
7. **PROPERLY ADJUST** the blade tension, tracking, blade guides, and blade support bearings.
8. **KEEP ARMS, HANDS, AND FINGERS** away from the blade.
9. **AVOID AWKWARD OPERATIONS** and hand positions where a sudden slip could cause a hand to move into the blade.
10. **NEVER START THE MACHINE** before clearing the table of all objects (tools, scrap pieces, etc.).
11. **NEVER START THE MACHINE** with the workpiece against the blade.
12. **HOLD WORKPIECE FIRMLY** against the table. DO NOT attempt to saw a workpiece that does not have a flat surface against the table.
13. **HOLD WORKPIECE FIRMLY** and feed into blade at a moderate speed.
14. **NEVER REACH UNDER THE TABLE** while the machine is running.
15. **TURN THE MACHINE "OFF"** to back out of an uncompleted or jammed cut.
16. **MAKE "RELIEF" CUTS** prior to cutting long curves.
17. **TURN THE MACHINE "OFF"** and wait for the blade to stop prior to cleaning the blade area, removing debris near the blade, removing or securing workpiece, or changing the angle of the table. A coasting blade can be dangerous.
18. **NEVER PERFORM LAYOUT, ASSEMBLY, or set-up** work on the table/work area when the machine is running.
19. **TURN THE MACHINE "OFF" AND DISCONNECT THE MACHINE** from the power source before installing or removing accessories, before adjusting or changing set-ups, or when making repairs.
20. **TURN THE MACHINE "OFF"**, disconnect the machine from the power source, and clean the table/work area before leaving the machine. **LOCK THE SWITCH IN THE "OFF" POSITION** to prevent unauthorized use.
21. **THIS BAND SAW IS INTENDED FOR INDOOR USE ONLY.**
22. **YOUR BAND SAW MUST** be securely fastened to a stand or workbench. If there is any tendency for the stand or workbench to move during operation, the stand or workbench **MUST** be fastened to the floor.
23. **MAKE SURE** blade is properly tensioned before operating saw.
24. **MAKE SURE** the blade teeth point downward toward the table.
25. **DO NOT** cut material that is too small to be safely supported.
26. **NEVER** attempt to cut a curve that is too tight for the blade being used.
27. **THE USE** of attachments and accessories not recommended by Black & Decker may result in the risk of injuries.
28. **SHOULD** any part of your Band Saw be missing, damaged or fail in any way, or any electrical component fail to perform properly, shut off switch and remove plug from power supply outlet. Replace missing, damaged or failed parts before resuming operation.
29. **ADDITIONAL INFORMATION** regarding the safe and proper operation of this tool is available from the Power Tool Institute, 1300 Summer Avenue, Cleveland, OH 44115-2851. Information is also available from the National Safety Council, 1121 Spring Lake Drive, Itasca, IL 60143-3201. Please also refer to the American National Standards Institute ANSI 01.1 Safety Requirements for Woodworking Machines and the U.S. Department of Labor OSHA 1910.213 Regulations.

**SAVE THESE INSTRUCTIONS.**

**Refer to them often and use them to instruct others.**

## POWER CONNECTIONS

A separate electrical circuit should be used for your machines. This circuit should not be less than #12 wire and should be protected with a 20 Amp time lag fuse. If an extension cord is used, use only 3-wire extension cords which have 3-prong grounding type plugs and matching receptacle which will accept the machine's plug. Before connecting the machine to the power line, make sure the switch (s) is in the "OFF" position and be sure that the electric current is of the same characteristics as indicated on the machine. All line connections should make good contact. Running on low voltage will damage the machine.

**⚠ WARNING: SHOCK HAZARD. DO NOT EXPOSE THE MACHINE TO RAIN OR OPERATE THE MACHINE IN DAMP LOCATIONS.**

## GROUNDING INSTRUCTIONS

**⚠ WARNING: SHOCK HAZARD. THIS MACHINE MUST BE GROUNDED WHILE IN USE TO PROTECT THE OPERATOR FROM ELECTRIC SHOCK.** Your machine is wired for 120 Volt, 60 HZ alternating current. Before connecting the machine to the power source, make sure the switch is in the "OFF" position.

### 1. All grounded, cord-connected machines:

In the event of a malfunction or breakdown, grounding provides a path of least resistance for electric current to reduce the risk of electric shock. This machine is equipped with an electric cord having an equipment-grounding conductor and a grounding plug. The plug must be plugged into a matching outlet that is properly installed and grounded in accordance with all local codes and ordinances.

Do not modify the plug provided - if it will not fit the outlet, have the proper outlet installed by a qualified electrician.

Improper connection of the equipment-grounding conductor can result in risk of electric shock. The conductor with insulation having an outer surface that is green with or without yellow stripes is the equipment-grounding conductor. If repair or replacement of the electric cord or plug is necessary, do not connect the equipment-grounding conductor to a live terminal.

Check with a qualified electrician or service personnel if the grounding instructions are not completely understood, or if in doubt as to whether the machine is properly grounded.

Use only 3-wire extension cords that have 3-prong grounding type plugs and matching 3-conductor receptacles that accept the machine's plug, as shown in Fig. A.

Repair or replace damaged or worn cord immediately.

### 2. Grounded, cord-connected machines intended for use on a supply circuit having a nominal rating less than 150 volts:

If the machine is intended for use on a circuit that has an outlet that looks like the one illustrated in Fig. A, the machine will have a grounding plug that looks like the plug illustrated in Fig. A. A temporary adapter, which looks like the adapter illustrated in Fig. B, may be used to connect this plug to a matching 2-conductor receptacle as shown in Fig. B if a properly grounded outlet is not available. The temporary adapter should be used only until a properly grounded outlet can be installed by a qualified electrician. The green-colored rigid ear, lug, and the like, extending from the adapter must be connected to a permanent ground such as a properly grounded outlet box. Whenever the adapter is used, it must be held in place with a metal screw.

**NOTE: In Canada, the use of a temporary adapter is not permitted by the Canadian Electric Code.**

**⚠ WARNING: SHOCK HAZARD. IN ALL CASES, MAKE CERTAIN THE RECEPTACLE IN QUESTION IS PROPERLY GROUNDED. IF YOU ARE NOT SURE HAVE A QUALIFIED ELECTRICIAN CHECK THE RECEPTACLE.**

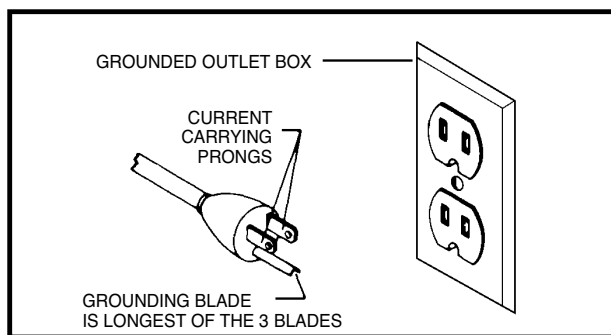


Fig. A

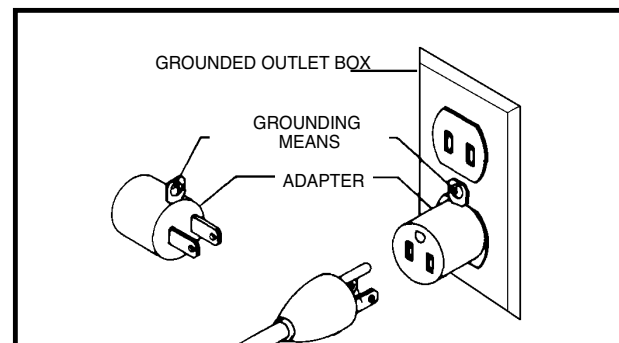


Fig. B

**EXTENSION CORDS**

**⚠ WARNING:** Use proper extension cords. Make sure your extension cord is in good condition and is a 3-wire extension cord which has a 3-prong grounding type plug and matching receptacle which will accept the machine's plug. When using an extension cord, be sure to use one heavy enough to carry the current of the machine. An undersized cord will cause a drop in line voltage, resulting in loss of power and overheating. Fig. C, shows the correct gauge to use depending on the cord length. If in doubt, use the next heavier gauge. The smaller the gauge number, the heavier the cord.

<b>MINIMUM GAUGE EXTENSION CORD</b>			
RECOMMENDED SIZES FOR USE WITH STATIONARY ELECTRIC MACHINES			
<b>Ampere Rating</b>	<b>Volts</b>	<b>Total Length of Cord in Feet</b>	<b>Gauge of Extension Cord</b>
0-6	120	up to 25	18 AWG
0-6	120	25-50	16 AWG
0-6	120	50-100	16 AWG
0-6	120	100-150	14 AWG
6-10	120	up to 25	18 AWG
6-10	120	25-50	16 AWG
6-10	120	50-100	14 AWG
6-10	120	100-150	12 AWG
10-12	120	up to 25	16 AWG
10-12	120	25-50	16 AWG
10-12	120	50-100	14 AWG
10-12	120	100-150	12 AWG
12-16	120	up to 25	14 AWG
12-16	120	25-50	12 AWG
12-16	120	GREATER THAN 50 FEET NOT RECOMMENDED	

**Fig. C**

**OPERATING INSTRUCTIONS**

**FOREWORD**

The BDBS100 is built for precision and performance. The BDBS100 comes with a powerful 3.5 amp motor, rack and pinion upper blade guide assembly, table tilting assembly, and a flexible lamp.

**UNPACKING AND CLEANING**

Carefully unpack the machine and all loose items from the shipping container(s). Remove the protective coating from all unpainted surfaces. This coating may be removed with a soft cloth moistened with kerosene (do not use acetone, gasoline or lacquer thinner for this purpose). After cleaning, cover the unpainted surfaces with a good quality household floor paste wax.

**NOTICE: THE MANUAL COVER PHOTO ILLUSTRATES THE CURRENT PRODUCTION MODEL. ALL OTHER ILLUSTRATIONS ARE REPRESENTATIVE ONLY AND MAY NOT DEPICT THE ACTUAL COLOR, LABELING OR ACCESSORIES AND MAY BE INTENDED TO ILLUSTRATE TECHNIQUE ONLY.**

**ASSEMBLY TOOLS REQUIRED**

- 1.) 3mm hex wrench - supplied
- 2.) 4mm hex wrench - supplied
- 3.) flat-head screwdriver
- 4.) phillips screwdriver

**ASSEMBLY TIME ESTIMATE**

1 hour or less

## 9 IN. BENCH BAND SAW PARTS

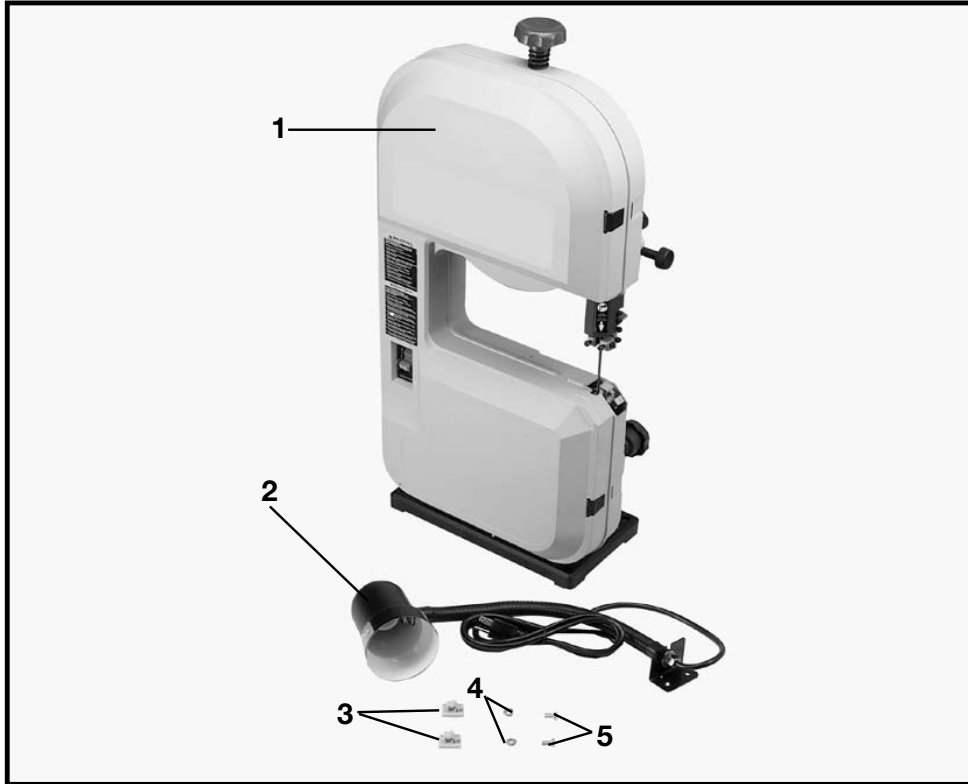


Fig. 2

- 1 - Band Saw
- 2 - Lamp
- 3 - Lamp Cord Clamps(2)
- 4 - 1/4in. Lockwashers (2)
- 5 - M6x12mm Cap Head Screws (2)

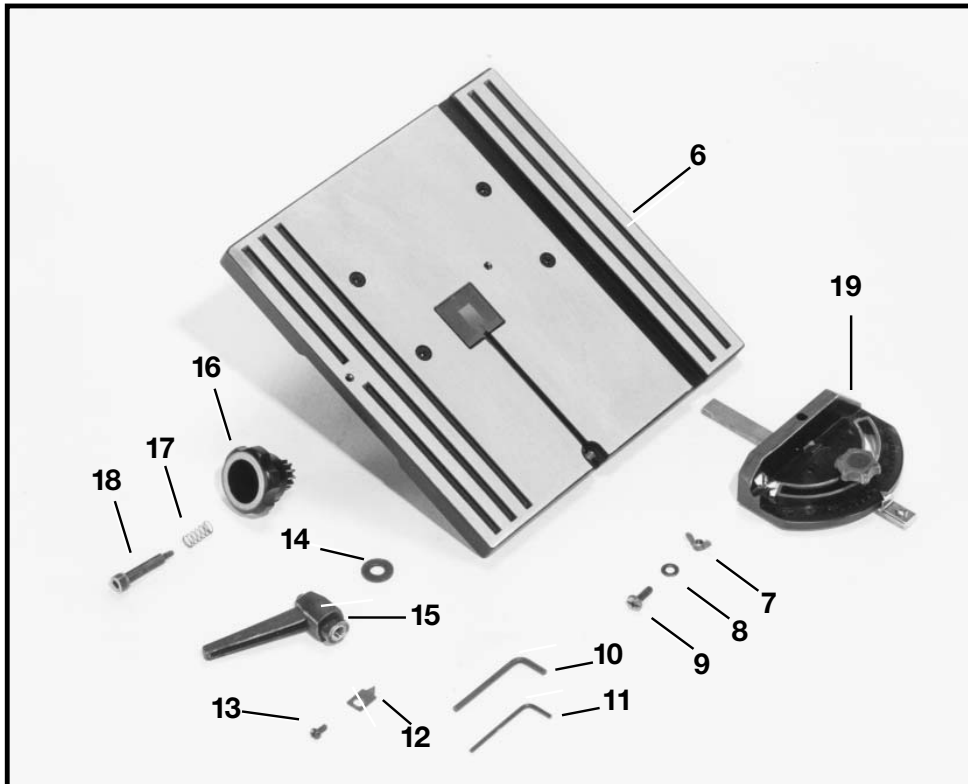


Fig. 3

- 6 - Table
- 7 - M6x1 Wing Nut
- 8 - M6 Flat Washer
- 9 - M6x130mm Pan Head Screw
- 10 - 4mm Hex Wrench
- 11 - 3mm Hex Wrench
- 12 - Pointer
- 13 - M5x.8x10mm Pan Head Screw
- 14 - M10 Flat Washer
- 15 - Lever Assembly
- 16 - Pinion Knob
- 17 - Spring
- 18 - Special Screw
- 19 - Miter Gauge (Optional)

# ASSEMBLY

**⚠ WARNING:** FOR YOUR OWN SAFETY, DO NOT CONNECT THE MACHINE TO THE POWER SOURCE UNTIL THE MACHINE IS COMPLETELY ASSEMBLED AND YOU READ AND UNDERSTAND THE ENTIRE INSTRUCTION MANUAL.

## ASSEMBLING TABLE TO MACHINE

1. Locate table locking lever (shown disassembled) Fig. 4, M10 flat washer (B) and 4mm wrench (C).

2. Using the 4mm wrench (C) Fig. 4, supplied, remove screw (D) and spring (E) from handle (A) and remove handle from nut (G). Do not lose spring (E).

3. Place table (H) Fig. 5, onto the band saw frame so that stud (J) Fig. 6, and keepers (K) protrude through the slot of trunnion (L) Fig. 7.

4. Open hinged door. (See section “OPENING AND CLOSING DOOR”.)

5. While pressing in on stud (M) Fig. 8 with a pencil, place an M10 flat washer (B) Fig. 7, onto stud and thread nut (G) onto stud as shown in Fig. 7.

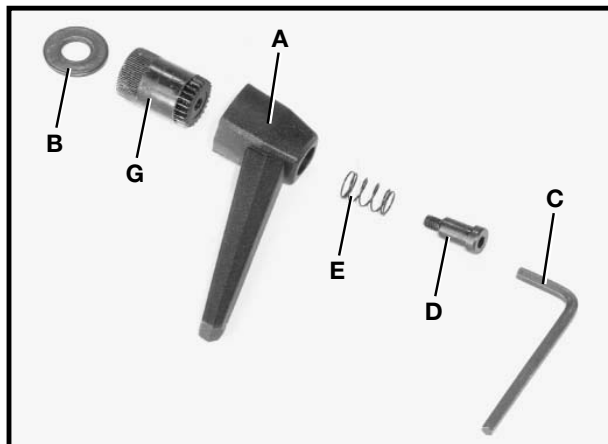


Fig. 4



Fig. 5

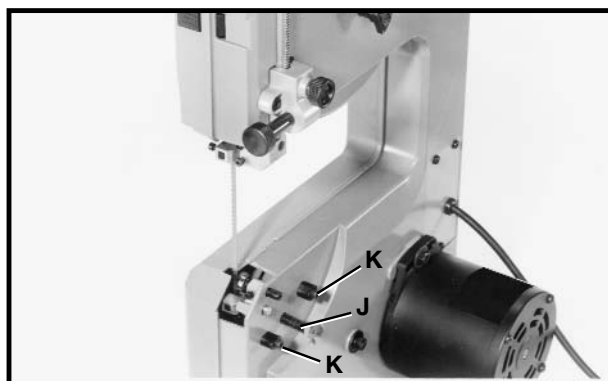


Fig. 6

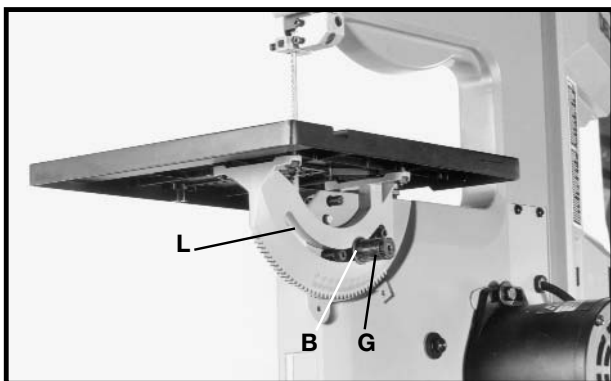


Fig. 7

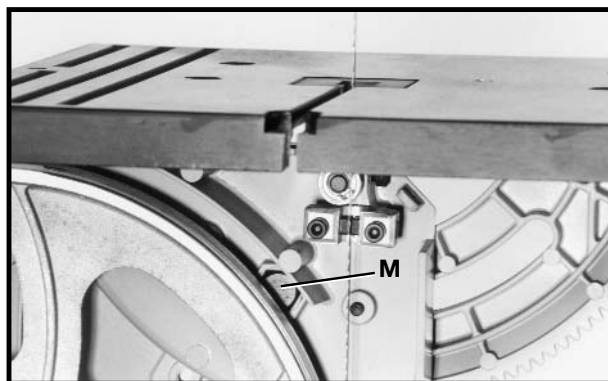


Fig. 8

6. Locate pinion knob (N) Fig. 9, spring (O), and special screw (P).

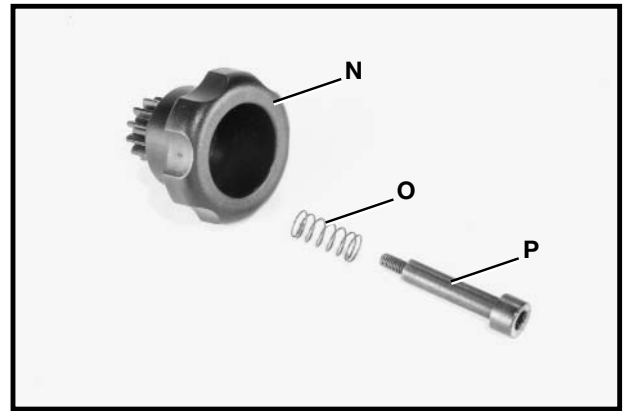


Fig. 9

7. Position pinion knob (N) Fig. 10, onto the back of saw so that the teeth on the pinion knob (N) engage the teeth on the trunnion (R). Fasten in place with special screw (P) and spring using the supplied 4mm wrench.

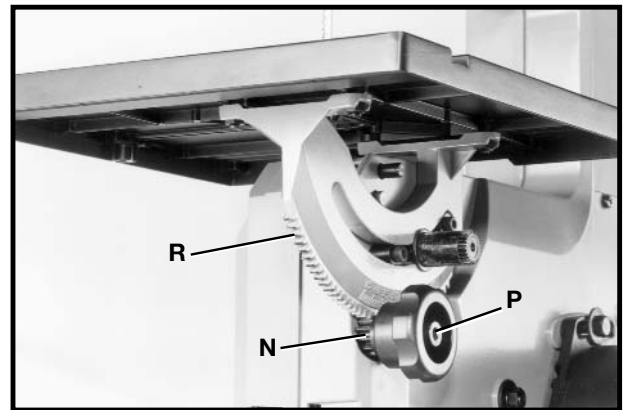


Fig. 10

8. Fasten pointer (S) Fig. 11, to the back of band saw using the M5x.8x10mm pan head screw (T).

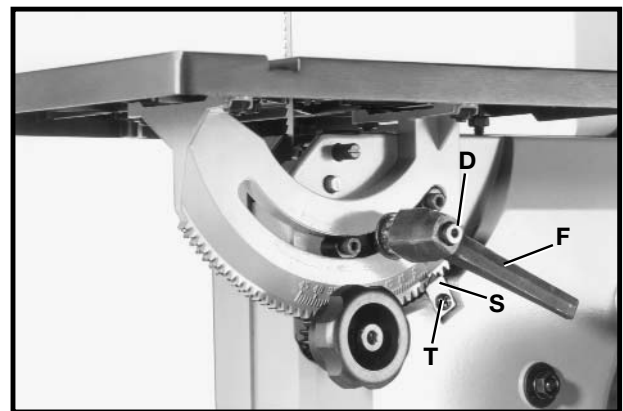


Fig. 11

9. Place locking handle (F) Fig. 4, onto stud (G). Place spring (E) Fig. 4, inside hole of lock handle and fasten in place with screw (D) as shown in Fig. 11. **NOTE:** Handle (F) is spring-loaded and can be repositioned on the stud by pulling out the handle and repositioning it on the nut.

10. Insert M6x1x30mm screw (W) Fig. 12, down through hole in table, as shown, and place an M6 flat washer (Z) onto the M6x1x30mm screw (W) and thread the M6x1 wing nut (X) onto screw (W) and tighten securely.

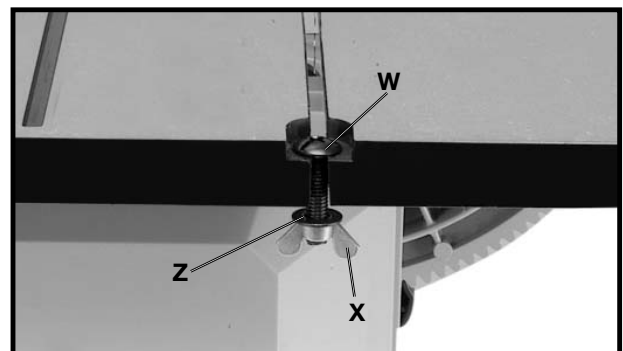


Fig. 12



## ATTACHING LAMP TO MACHINE

1. Fasten the lamp bracket (A) Fig. 13, to the top cover of the machine, using two M6x1x12mm cap head screws (B) and 1/4 in. lockwashers as shown.

2. Peel backing from cord clamps (C) Fig. 13A, and apply one clamp at each of the locations shown. Make certain the lamp cord is routed out of the way of the blade, then secure cord (D) to cord clamps (C) as shown in Fig. 13A.

3. The flexible lamp operates independently of the band saw. To turn the lamp on and off, rotate switch (E) Fig. 13A.

**⚠ WARNING: FIRE HAZARD:** To reduce the risk of fire, use 40 watt or less, 120 volt, reflector track type light bulb (not supplied). A standard household light bulb should not be used. The reflector track type light bulb should not extend below the lamp shade.

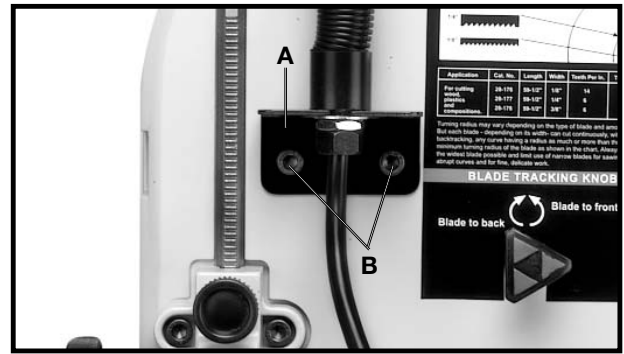


Fig. 13

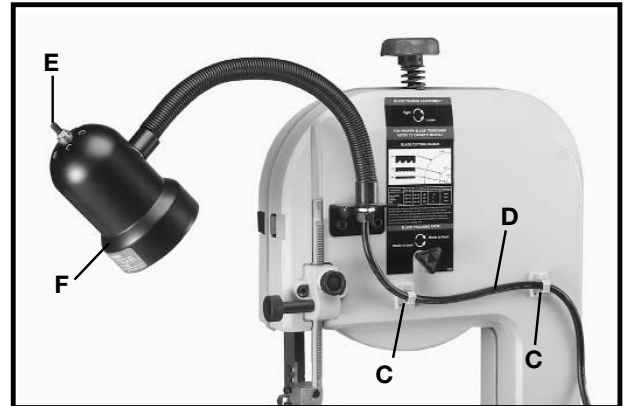


Fig. 13A

## FASTENING BAND SAW TO SUPPORTING SURFACE

**⚠ WARNING:** The machine must be secured to a supporting surface. Four holes are provided in the band saw base for this purpose, three of which are shown at (A) Fig. 14.

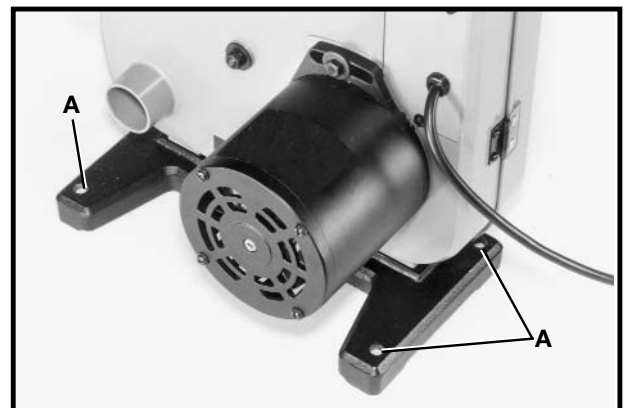


Fig. 14

# OPERATING CONTROLS AND ADJUSTMENTS

**⚠ WARNING: THIS PRODUCT IS RECOMMENDED FOR WOOD CUTTING ONLY.**

## STARTING AND STOPPING SAW

The switch (A) Fig. 15, is located on the front side of the band saw. To turn the saw “ON” move the switch (A) up to the “ON” position. To turn the saw “OFF” move the switch (A) down to the “OFF” position.

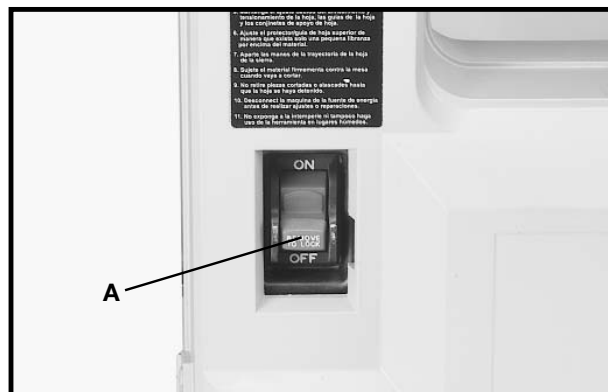


Fig. 15

## LOCKING SWITCH IN THE “OFF” POSITION

**IMPORTANT: When the tool is not in use, the switch should be locked in the “OFF” position to prevent unauthorized use.** This can be done by grasping the switch toggle (B) Fig. 16, and pulling it out of the switch, as shown. With the switch toggle (B) removed, the switch will not operate. However, should the switch toggle be removed while the machine is running, the switch can be turned “OFF” once, but cannot be restarted without inserting the switch toggle (B).

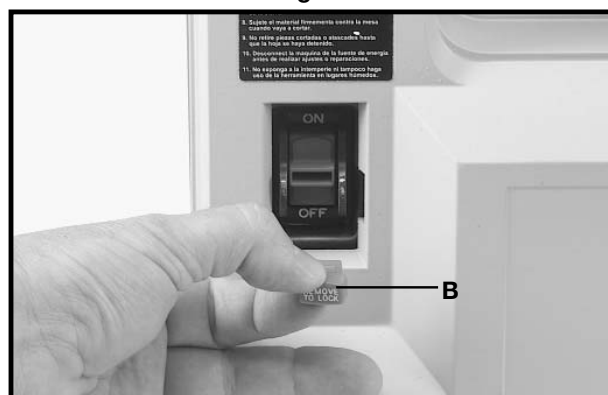


Fig. 16

## OPENING AND CLOSING DOOR

When making adjustments such as changing the blade, tracking the blade, blade guide adjustments, etc., the door (B) Figs. 17 and 18, can be opened as follows:

**⚠ WARNING: MOVING PARTS. LAZARATION / PINCH HAZARD: NEVER OPEN THE DOOR WHEN THE MACHINE IS RUNNING.**

1. Press in the two locking latches (A) Fig. 17, and swing door (B) open.
2. Fig. 18, illustrates door (B) in open position.
3. To close and fasten door (B) Figs. 17 and 18, press on door directly over latches (A) Fig. 17, until latches snap into the locking position.

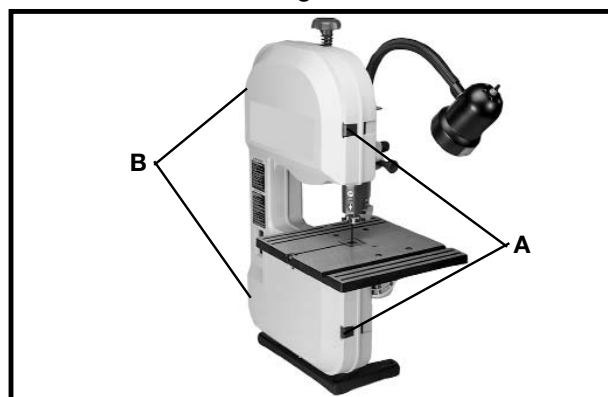


Fig. 17

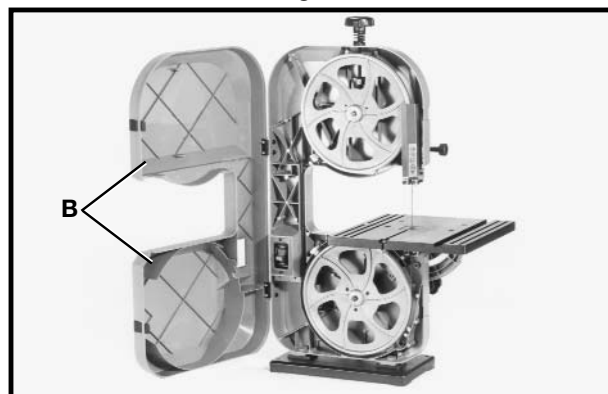


Fig. 18

# ADJUSTING BLADE TENSION

Blades of 1/8 in., 1/4 in., and 3/8 in. in width by 59-1/2 in. in length are available for use with your band saw. **NOTE:** The blade tension must be adjusted to accommodate different blade widths in order to provide proper blade tracking, cutting performance, and blade life.

**⚠ WARNING: DISCONNECT MACHINE FROM POWER SOURCE.**

1. After the desired blade is assembled to the two wheels, turn tension knob (A) Fig. 19, clockwise until spring (B) begins to compress.
2. Turn tension knob (A) Fig. 19, an additional 2-1/2 turns for 1/8 in. wide blades; 3 turns for 1/4 in. wide blades; and 4 turns for 3/8 in. wide blades.
3. A chart (C) Fig. 19, is located at the rear of the band saw. This chart shows blade size, and the minimum radius that can be cut with each size blade.

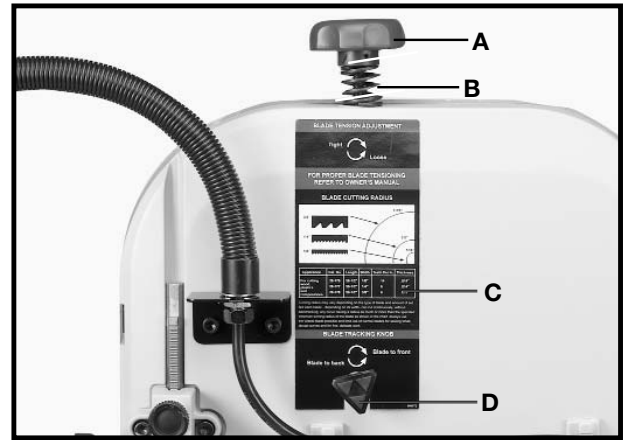


Fig. 19

# TRACKING THE BLADE

**⚠ WARNING: DISCONNECT MACHINE FROM POWER SOURCE.**

1. Before tracking the blade, make sure the blade guides and blade support bearings are clear of the blade so as not to interfere with the tracking adjustment. Also make sure that the blade is tensioned properly. (Refer to section “**ADJUSTING BLADE TENSION**”).
2. Open the hinged door (C) Fig. 20.
3. Rotate upper wheel (A) Fig. 20, clockwise by hand and check to see if the blade (B) rides true on the approximate center of the two wheels.
4. If an adjustment is necessary, **SLIGHTLY** turn blade tracking knob (D) Fig. 19, clockwise to move the blade to the rear, and counterclockwise to move the blade to the front. **NOTE:** Turn the blade tracking knob (D) in small intervals to adjust the blade tracking.

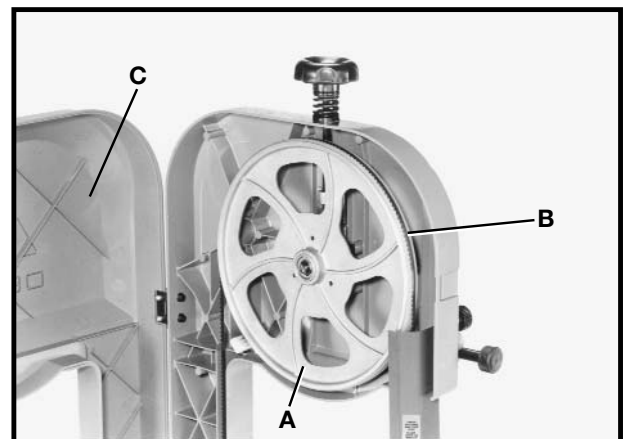


Fig. 20

# ADJUSTING UPPER BLADE GUIDE ASSEMBLY

The upper blade guide assembly (A) Fig. 21, should always be no more than 1/8 in. above or as close as possible to the top surface of the workpiece being cut. Loosen knob (B) Fig. 21, rotate knob (C) and position the guide assembly (A) to the desired position. Then tighten knob (B).

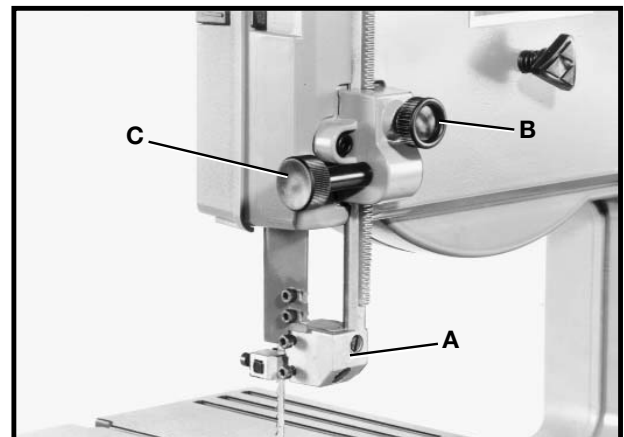


Fig. 21

# ADJUSTING UPPER BLADE GUIDES AND BLADE SUPPORT BEARING

**IMPORTANT: BOTH THE UPPER AND LOWER BLADE GUIDES MUST BE PROPERLY ADJUSTED TO PREVENT THE BLADE FROM TWISTING DURING OPERATION.**

**⚠ WARNING: DISCONNECT MACHINE FROM POWER SOURCE.**

1. **NOTE:** Upper blade guard (B) Fig. 22, is shown removed for clarity.
2. Loosen the two screws (C) Fig. 22, and adjust the blade guides (D) as close as possible to the sides of the saw blade, being careful not to pinch the blade. Then tighten the two screws (C).
3. Loosen screw (E) Fig. 22, and move the guide bracket (F) in or out until the front edge of the guides (D) are just behind the “gullets” of the blade teeth. Then tighten screw (E).
4. The upper blade support/thrust bearing (G) Fig. 22, prevents the saw blade from being pushed back too far when cutting. The support bearing (G) should be adjusted approximately 1/32 in. behind the blade, so the back of the blade overlaps the outside diameter of the ball bearing by approximately 1/8 in. To adjust, proceed as follows:

**⚠ WARNING: DISCONNECT MACHINE FROM POWER SOURCE.**

5. Loosen screw (H) Fig. 22, and slide support bearing (G) in or out until it is approximately 1/32 in. behind the saw blade.
6. The upper blade support bearing (G) Fig. 22, is set on an eccentric shaft. To change position of bearing (G), use a straight screwdriver, rotate shaft (J) Fig. 23, until the blade properly overlaps the support bearing. Then tighten screw (H).

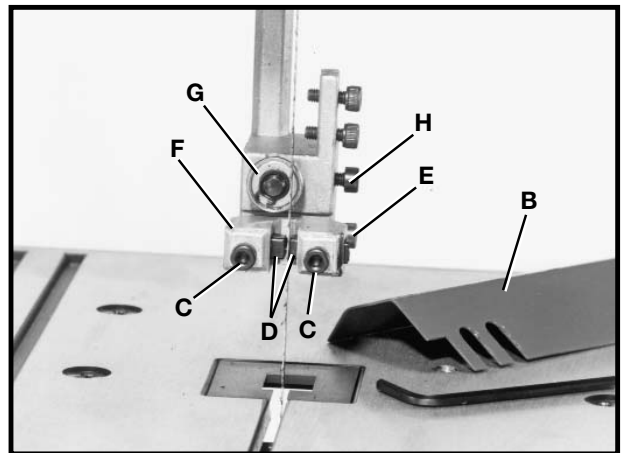


Fig. 22

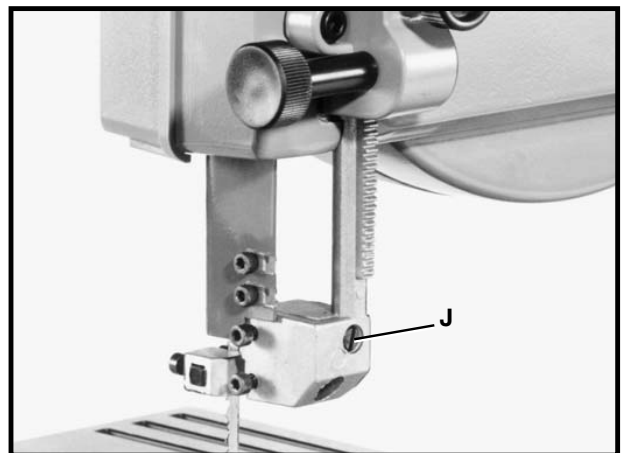


Fig. 23

# ADJUSTING LOWER BLADE GUIDES AND BLADE SUPPORT BEARING

The lower blade guides and blade support bearing should be adjusted at the same time as the upper guides and support bearings as follows:

**⚠ WARNING: DISCONNECT MACHINE FROM POWER SOURCE.**

1. Loosen two screws (A) Fig. 24, and move guides (B) as close as possible to the sides of the blade, being careful not to pinch the blade. Then tighten the two screws (A).
2. The front edge of guide blocks (B) Fig. 24, should be adjusted so they are just behind the “gullets” of the blade teeth by loosening screw (C), and moving assembly (D) in or out as necessary. Then tighten screw (C).
3. The lower blade support bearing (E) Fig. 24, should be adjusted to support the rear of the blade during the cutting operation and also prevent the blade from being pushed too far to the rear which could damage the blade. The support bearing (E) Fig. 24, should be set about 1/32 in. behind the blade by loosening screw (F) Fig. 24, and moving shaft (G) in or out. Then tighten screw (F).
4. The lower blade support bearing (E) Fig. 24, should also be adjusted so the back of the blade overlaps the outside diameter of the ball bearing by approximately 1/8 in. The blade support bearing (E) is set on an eccentric shaft. To change position of bearing (E), loosen screw (F) Fig. 24, and rotate shaft (G) Figs. 24 and 25, until the blade properly overlaps the support bearing. Then tighten screw (F) Fig. 24.

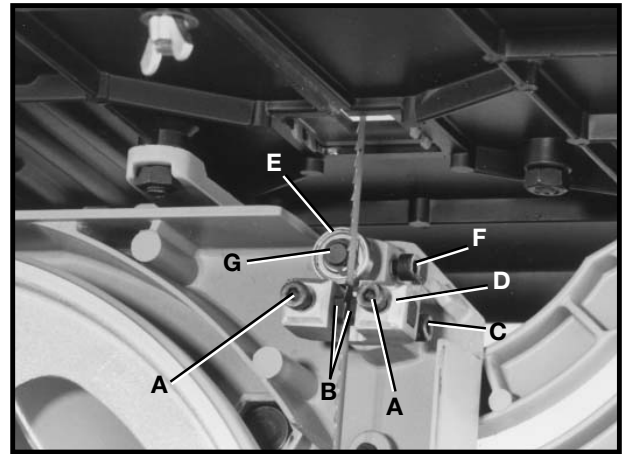


Fig. 24

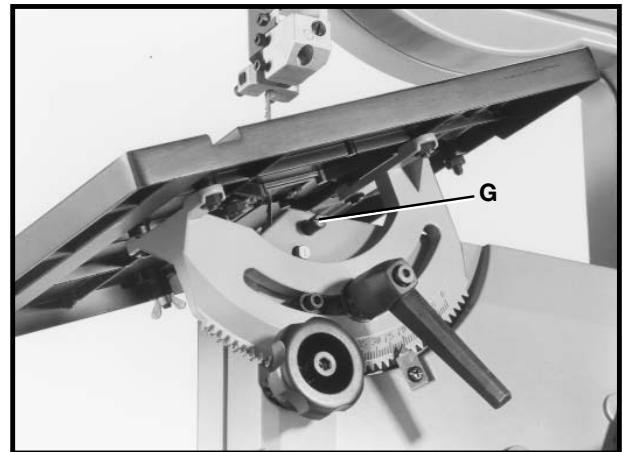


Fig. 25

# TILTING THE TABLE

The table can be tilted 45 degrees to the right. To tilt the table, loosen lock handle (A) Fig. 26, and turn knob (B) clockwise until desired angle is established. Then tighten lock handle (A). **NOTE:** The table lock handle (A) can be repositioned by pulling out on the handle and repositioning it on the nut located underneath the hub of the handle. A scale (C) and pointer (D) are provided to indicate the degree of tilt.

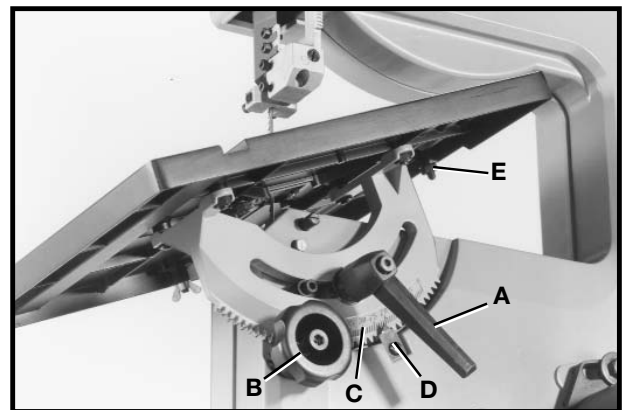


Fig. 26

## ADJUSTING THE TABLE POSITIVE STOPS

Positive stops are provided for the table at the 90 and 45 degree angle to the blade. To check and adjust the positive stops, proceed as follows:

**⚠ WARNING: DISCONNECT MACHINE FROM POWER SOURCE.**

1. Tilt the table to the 90 degree position as shown in Fig. 27, and tighten lock handle (A) Fig. 28. Place a square (H) Fig. 27, on the table and against the blade and check to see if the blade is 90 degrees to the table surface. If an adjustment is necessary, proceed as follows:

2. Tilt the table slightly as shown in Fig. 26, to expose lock nut (E) Fig. 27. Loosen lock nut and return table to the 90° position. With the lock handle (A) Fig. 28 loose, turn adjusting screw (F) Fig. 27, using the wrench (G) provided until the blade is 90 degrees to the table. Then tighten lock nut (E) Fig. 27, and lock handle (A) Fig. 28.

3. Tilt the table to the 45 degree position as shown in Fig. 28. Place a square (H) on the table and against the blade and check to see if the blade is 45 degrees to the table surface. If an adjustment is necessary, proceed as follows:

4. Loosen lock nut on adjustment screw (J) Fig. 28, located on the underside of the table. With lock handle (A) Fig. 28 loose, turn adjustment screw (J) using wrench (G) provided until the blade is 45 degrees to the table. Then tighten lock handle (A), and lock nut on adjustment screw (J).

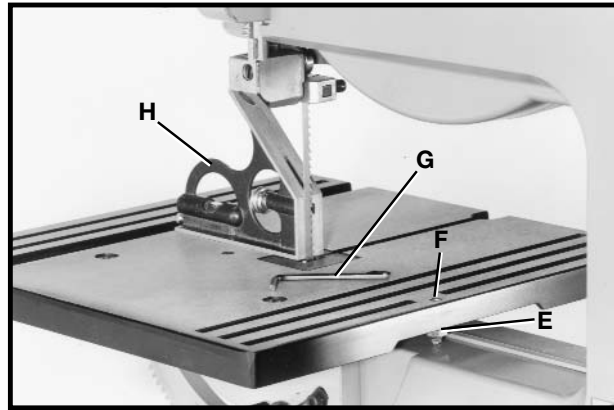


Fig. 27

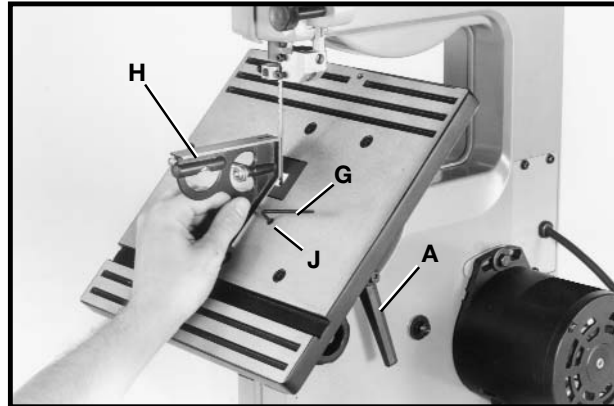


Fig. 28

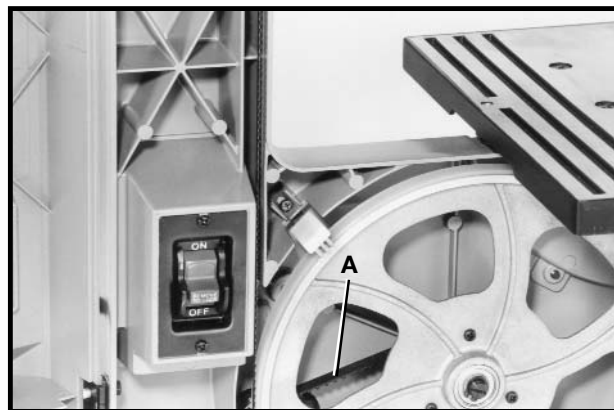


Fig. 29

## ADJUSTING BELT TENSION

If the drive belt on your band saw needs adjustment, proceed as follows:

**⚠ WARNING: DISCONNECT MACHINE FROM POWER SOURCE.**

The belt (A) Fig. 29, drives the blade wheel pulley from the motor pulley. The belt (A) is properly tensioned when there is approximately 1/4 in. deflection in the center span of the belt using light finger pressure. If belt tension needs to be adjusted, loosen two screws (B) Fig. 30, and rotate motor accordingly. Tighten screws (B) when adjustment is completed.

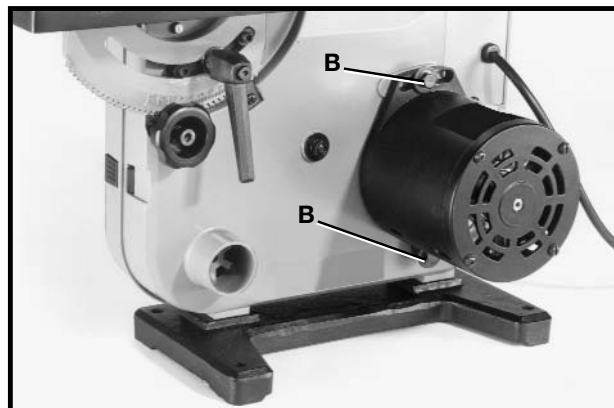


Fig. 30

# CHANGING BLADES

**⚠ WARNING: DISCONNECT MACHINE FROM POWER SOURCE.**

To change blades:

1. Press in door latches (A) Fig. 34, and open door (B) as shown.
2. Loosen two screws (C) Fig. 35, and remove blade guard (D).
3. Release tension on the band saw blade by turning tension knob (E) Fig. 34 counterclockwise.
4. Remove table alignment screw (F) Fig. 36.
5. Slip the blade off both wheels and guide it out through the slot in the table.
6. Check the new blade to make sure that the teeth will point down toward the table when installed. **IF NOT, CAREFULLY TURN BLADE INSIDE OUT.**
7. Place the new blade onto wheels and adjust blade tension, blade guides and tracking as described previously in this manual.
8. Replace blade guard, which was removed in **STEP 2**, and table alignment screw which was removed in **STEP 4**.
9. Close door (B) Fig. 34, before operating saw.

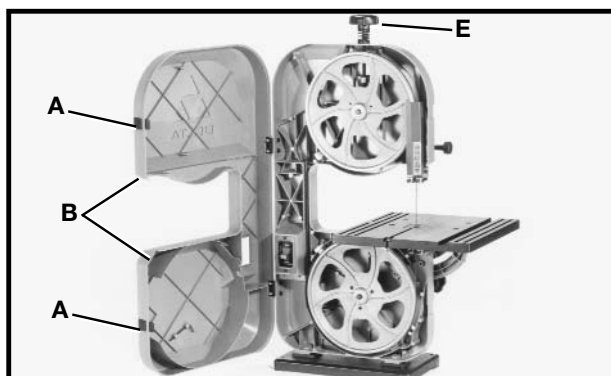


Fig. 34

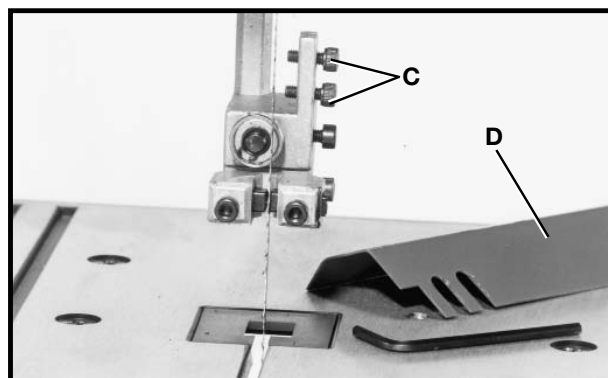


Fig. 35

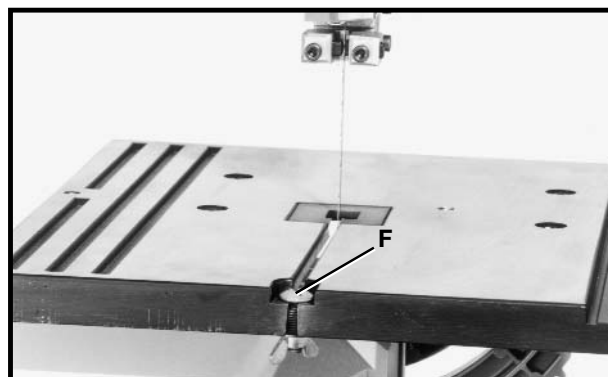


Fig. 36

## DUST CHUTE

A dust collection system can be attached to the 1 3/4 in. O.D. dust chute (A) Fig. 37.

## WRENCH STORAGE

The 3mm and 4mm wrenches (A) supplied with your band saw can be stored inside the wheel cover as shown in Fig. 37A.



Fig. 37

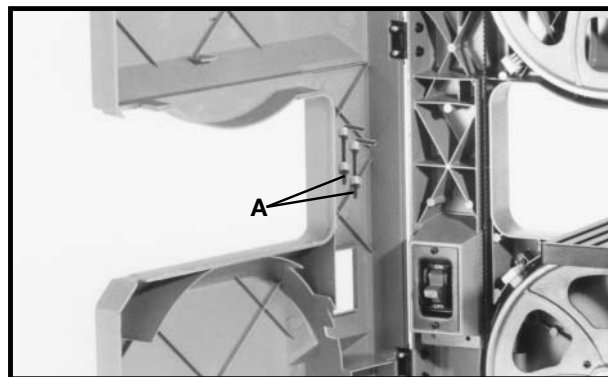


Fig. 37A

## MITER GAUGE (OPTIONAL)

Some Band Saws come with a miter gauge. If your machine has a miter gauge, you can adjust it up to 45 degrees, right and left. Loosen the lock knob (A), rotate the miter gauge body (B) and tighten the lock knob (A).

Fig. 38 illustrates a typical cross-cutting operation using the accessory miter gauge. Notice how the upper blade guide assembly is set slightly above the work surface.

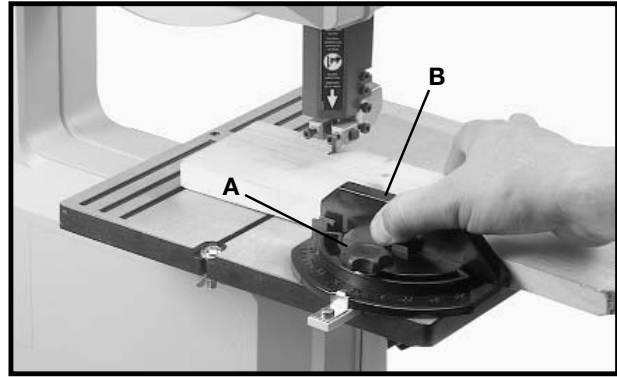


Fig. 38

## OPERATING THE BAND SAW

Before starting the machine, see that all adjustments are properly made and the guards are in place. Turn the upper wheel by hand to make sure that everything is correct **BEFORE** turning on the power.

Keep the top guide within 1/8 in. of the work piece at all times. Do not force the material against the blade. Light pressure on the work piece will produce a smoother cut, and prevent excess friction, heating, and hardening of the blade.

**KEEP THE SAW BLADE SHARP.** Very little forward pressure is required for normal cutting. Keep the workpiece moving at a slow and consistent rate against the blade to ensure a smooth and accurate cut.

Avoid twisting the blade by trying to turn sharp corners. Remember, you must saw around corners.

## CUTTING CURVES

**⚠ WARNING: CUT HAZARD:** Keep hands away from blade.

When cutting curves, turn the stock carefully so that the blade follows without twisting. If a curve is so abrupt that it is necessary to repeatedly back up and cut a new kerf, a narrower blade, a blade with more set, or additional relief cuts Fig. 39, may be necessary to allow the blade to cut more efficiently. The more set a blade has, the easier it will allow the stock to be turned, but the cut is usually rougher than where a medium amount of set is used.

When withdrawing the piece being cut, changing the cut, or for any other reason, be careful not to accidentally draw the blade off the wheels. In most cases, it is easier and safer to turn the stock and saw out through the waste material, rather than try to withdraw the stock from the blade.

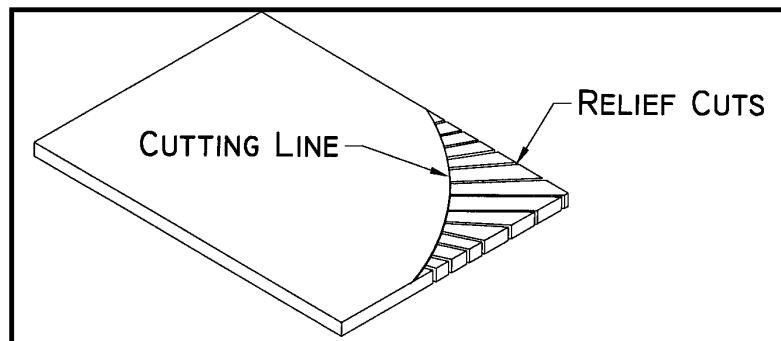


Fig. 39





**Fig. 40**

Fig. 40 illustrates a typical bevel cutting operation using the accessory miter gage.

# TROUBLESHOOTING GUIDE

In spite of how well a band saw is maintained, problems can occur. The following troubleshooting guide will help you solve the more common problems:

**Trouble:** *SAW WILL NOT START.*

**Probable Cause**

1. Saw not plugged in.
2. Fuse blown or circuit breaker tripped.
3. Cord damaged.

**Trouble:** *BREAKER KICKS OUT FREQUENTLY.*

**Probable Cause**

1. Extension cord too light or too long.
2. Feeding stock too fast.
3. Blade in poor condition (dull, warped, gummed).
4. Low voltage supply.

**Trouble:** *BAND SAW VIBRATES EXCESSIVELY.*

**Probable Cause**

1. Machine not mounted securely to workbench.
2. Bench on uneven surface.
3. Worn belt.
4. Belt not tensioned correctly.
5. Motor not fastened securely.

**Trouble:** *BAND SAW DOES NOT COME UP TO SPEED.*

**Probable Cause**

1. Low voltage due to improper extension cord size.
2. Low voltage.

**Trouble:** *BLADES BREAK.*

**Probable Cause**

1. Blade not tensioned properly.
2. Blade guides improperly adjusted.
3. Blade support bearing improperly adjusted.
4. Blade wheel tracking adjustment improperly set.
5. Bad weld on blade.
6. Worn tires.
7. Forcing wide blade around short radius.
8. Dull blade or insufficient set.
9. Upper blade guide set too high.
10. Continuous running of machine when not actually cutting.

**Trouble:** *BLADE WILL NOT TRACK.*

**Probable Cause**

1. Blade too loose
2. Upper wheel not properly adjusted.
3. Improperly adjusted blade support bearing.

**Trouble:** *CUT DOES NOT AGREE WITH SETTING ON THE TILT SCALE.*

**Probable Cause**

1. Pointer out of adjustment

**Trouble:** *BLADE WILL NOT STAY ON WHEEL.*

**Probable Cause**

1. Blade not tensioned properly.
2. Blade guides improperly adjusted.
3. Blade support bearing improperly adjusted.
4. Blade wheel not tracking properly.
5. Bad weld on blade.
6. Worn tires.

**Remedy**

1. Plug in saw.
2. Replace fuse or reset circuit breaker.
3. Have cord replaced.

**Remedy**

1. Replace with adequate size cord.
2. Feed stock more slowly.
3. Clean or replace blade.
4. Contact your electric company.

**Remedy**

1. Tighten all mounting hardware.
2. Reposition on flat level surface.
3. Replace belt.
4. Adjust belt tension by moving motor.
5. Tighten all mounting hardware.

**Remedy**

1. Replace with adequate size cord.
2. Contact your electric company.

**Remedy**

1. Adjust blade tension.
2. Check and adjust blade guides.
3. Adjust blade support bearing.
4. Check and adjust blade tracking.
5. Replace the blade.
6. Replace tires.
7. Change to a narrower blade.
8. Replace blade.
9. Set upper blade guide within 1/8 in. of workpiece.
10. Turn off machine when not performing cutting operation.

**Remedy**

1. Adjust tension
2. Adjust upper wheel.
3. Adjust blade support bearing.

**Remedy**

1. Adjust pointer.

**Remedy**

1. Adjust blade tension.
2. Check and adjust blade guides.
3. Adjust blade support bearing.
4. Check and adjust blade tracking.
5. Replace the blade.
6. Replace tires.

(continued on next page)

**Trouble: BAND SAW MAKES UNSATISFACTORY CUTS.**

**Probable Cause**

1. Blade not tensioned properly.
2. Blade guides improperly adjusted.
3. Blade support bearing improperly set.
4. Blade wheel not tracking properly.
5. Bad weld on blade.
6. Worn tires.
7. Incorrect blade for work being done.
8. Dull blade or insufficient set.
9. Upper blade guide set too high.
10. Continuous running of machine when not actually cutting.

**Remedy**

1. Adjust blade tension.
2. Check and adjust blade guides.
3. Adjust blade support bearing.
4. Check and adjust blade tracking.
5. Replace the blade.
6. Replace tires.
7. Change the blade.
8. Replace blade.
9. Set upper blade guide within 1/8 in. of work piece.
10. Turn off machine when not performing cutting operation.

## **BAND SAW BLADES**

A band saw blade is a delicate piece of steel that is subjected to tremendous strain. You can obtain long use from a band saw blade if you use it properly. Be sure you use blades of the proper thickness, width and temper for the various types of material and cuts.

Always use the widest blade possible. Use narrow blades only for sawing small, abrupt curves and for fine, delicate work. This will save blades and will produce better cuts. For cutting wood and similar materials, Black & Decker offers blades in widths of 1/8 in., 1/4 in., and 3/8 in.

Any one of a number of conditions may cause a band saw blade to break. Blade breakage is, in some cases, unavoidable, being the natural result of the peculiar stresses to which blades are subjected. Blades will brake often due to avoidable causes, such as the lack of care to the blade or the blade not being properly adjusted to the band saw. The most common causes of blade breakage are:

- (1) faulty alignments and adjustments of the guides.
- (2) forcing or twisting a wide blade around a curve of short radius.
- (3) feeding the work piece to fast into the blade.
- (4) dullness of the teeth, or absence of sufficient set.
- (5) excessive tensioning of the blade.
- (6) top guide set too high above the work piece being cut.
- (7) using a blade with a lumpy or improperly finished braze or weld.
- (8) continuous running of the saw blade when the blade is not in use.

Use blades that are 59-1/2 in. in length on this machine.

Always use a sharp blade. Keep it free from gum and pitch. Clean frequently with a stiff fiber brush.

Narrow blades are used for cutting small circles or curves while the wider blades are best suited for straight cutting such as ripping.

A new blade, in most cases, will perform better and last longer than a re-sharpened blade.

Insure that the blade guides are adjusted properly.

Do not force or twist the blade around a curve or a very short radius.

Feed the workpiece through the blade at a consistent rate, allow the blade to do the cutting – do not feed the work piece too fast.

Do not apply excessive tension to the blade. The tension is only necessary to drive the blade without slipping on the wheels. Narrow blades require less tension than wider blades.

## ACCESSORIES

Recommended accessories for use with your tool are available from your local dealer or authorized service center. If you need assistance regarding accessories, please call: **1-800-544-6986**.

**⚠ WARNING:** The use of any accessory not recommended for use with this tool could be hazardous.

## MAINTENANCE

Use only mild soap and damp cloth to clean the tool. Never let any liquid get inside the tool; never immerse any part of the tool into a liquid.

**IMPORTANT:** To assure product SAFETY and RELIABILITY, repairs, maintenance and adjustment (other than those listed in this manual) should be performed by authorized service centers or other qualified service organizations, always using identical replacement parts.

## SERVICE INFORMATION

All Black & Decker Service Centers are staffed with trained personnel to provide customers with efficient and reliable power tool service. Whether you need technical advice, repair, or genuine factory replacement parts, contact the Black & Decker location nearest you. To find your local service location, refer to the yellow page directory under "Tools—Electric" or call: **1-800-544-6986** or visit **www.blackanddecker.com**

## FULL TWO-YEAR HOME USE WARRANTY

Black & Decker (U.S.) Inc. warrants this product for two years against any defects in material or workmanship. The defective product will be replaced or repaired at no charge in either of two ways.

The first, which will result in exchanges only, is to return the product to the retailer from whom it was purchased (provided that the store is a participating retailer). Returns should be made within the time period of the retailer's policy for exchanges (usually 30 to 90 days after the sale). Proof of purchase may be required. Please check with the retailer for their specific return policy regarding returns that are beyond the time set for exchanges.

The second option is to take or send the product (prepaid) to a Black & Decker owned or authorized Service Center for repair or replacement at our option. Proof of purchase may be required. Black & Decker owned and authorized Service Centers are listed under "Tools-Electric" in the yellow pages of the phone directory and on our website **www.blackanddecker.com**.

This warranty does not apply to accessories. This warranty gives you specific legal rights and you may have other rights which vary from state to state or province to province. Should you have any questions, contact the manager of your nearest Black & Decker Service Center. This product is not intended for commercial use.

**FREE WARNING LABEL REPLACEMENT:** If your warning labels become illegible or are missing, call **1-800-544-6986** for a free replacement.

Imported by  
Black & Decker (U.S.) Inc.,  
701 E. Joppa Rd.  
Towson, MD 21286 U.S.A.



See 'Tools-Electric'  
- Yellow Pages -  
for Service & Sales





## Sierra de Cinta de 9 pulg. para Banquillo

# MANUAL DE INSTRUCCIONES

CATÁLOGO N° BDBS100



¡GRACIAS POR ELEGIR BLACK & DECKER!  
VAYA A [WWW.BLACKANDDECKER.COM/NEWOWNER](http://WWW.BLACKANDDECKER.COM/NEWOWNER)  
PARA REGISTRAR SU NUEVO PRODUCTO.

**ANTES DE DEVOLVER ESTE PRODUCTO POR CUALQUIER MOTIVO, LLAME AL  
(55)5326-7100**

ANTES DE LLAMAR, TENGA EL NÚMERO DE CATÁLOGO Y EL CÓDIGO DE FECHA PREPARADOS. EN LA MAYORÍA DE LOS CASOS, UN REPRESENTANTE DE BLACK & DECKER PUEDE RESOLVER EL PROBLEMA POR TELÉFONO. SI DESEA REALIZAR UNA SUGERENCIA O COMENTARIO, LLÁMENOS. SU OPINIÓN ES FUNDAMENTAL PARA BLACK & DECKER.

**CONSERVE ESTE MANUAL PARA FUTURAS CONSULTAS**

## PAUTAS DE SEGURIDAD/DEFINICIONES

Es importante que lea y comprenda este manual. La información que contiene se relaciona con la protección de SU SEGURIDAD y la PREVENCIÓN DE PROBLEMAS. Los símbolos que siguen se utilizan para ayudarlo a reconocer esta información.

**⚠ PELIGRO:** indica una situación de peligro inminente que, si no se evita, provocará la muerte o lesiones graves.

**⚠ ADVERTENCIA:** indica una situación de peligro potencial que, si no se evita, provocará la muerte o lesiones graves.

**⚠ PRECAUCIÓN:** indica una situación de peligro potencial que, si no se evita, provocará lesiones leves o moderadas.

**PRECAUCIÓN:** utilizado sin el símbolo de alerta de seguridad indica una situación de peligro potencial que, si no se evita, puede provocar daños en la propiedad.

**⚠ ADVERTENCIA:** Algunas partículas originadas al lijar, aserrar, amolar, taladrar y realizar otras actividades de construcción contienen productos químicos que producen cáncer, defectos de nacimiento y otros problemas reproductivos. Algunos ejemplos de estos productos químicos son:

- el plomo de las pinturas de base plomo,
- la sílice cristalina de ladrillos, cemento y otros productos de mampostería, y
- el arsénico y el cromo de la madera con tratamiento químico (CCA).

El riesgo derivado de estas exposiciones varía según la frecuencia con la que se realice este tipo de trabajo. Para reducir la exposición a estos productos químicos: se recomienda trabajar en áreas bien ventiladas y usar equipos de seguridad aprobados, como las máscaras para polvo especialmente diseñadas para filtrar las partículas microscópicas.

- Evite el contacto prolongado con las partículas de polvo originadas al lijar, aserrar, esmerilar, taladrar y realizar demás actividades de la construcción. Use indumentaria protectora y lave las áreas expuestas con agua y jabón. Evite que el polvo entre en la boca y en los ojos o se deposite en la piel, para impedir la absorción de productos químicos nocivos.

**⚠ ADVERTENCIA:** el uso de esta herramienta puede generar o dispersar partículas de polvo, que pueden causar lesiones respiratorias permanentes y graves u otras lesiones. Use siempre protección respiratoria aprobada por NIOSH/OSHA (Instituto Nacional de Salud y Seguridad Ocupacional de EE.UU./Administración de la Salud y Seguridad Ocupacional de EE.UU.) apropiada para la exposición al polvo. Aleje la cara y el cuerpo del contacto con las partículas.

**⚠ PRECAUCIÓN:** utilice la protección auditiva apropiada durante el uso. En determinadas condiciones y según el periodo de uso, el ruido provocado por este producto puede originar pérdida de audición.

## NORMAS GENERALES DE SEGURIDAD



**⚠ ADVERTENCIA:** LEA TODAS LAS INSTRUCCIONES ANTES DE OPERAR EL PRODUCTO. EL INCUMPLIMIENTO DE LAS INSTRUCCIONES ENUMERADAS A CONTINUACIÓN PUEDE PROVOCAR UNA DESCARGA ELÉCTRICA, UN INCENDIO O LESIONES GRAVES.

## INSTRUCCIONES IMPORTANTES SOBRE SEGURIDAD

El trabajo de carpintería puede ser peligroso si no se siguen procedimientos operativos seguros y adecuados. Al igual que con cualquier máquina, el uso de este producto implica determinados riesgos. Si utiliza la máquina con la precaución necesaria, reducirá considerablemente la posibilidad de lesiones personales. No obstante, si no se presta la debida atención a las medidas normales de seguridad o se las ignora, el operador puede lesionarse. El uso del equipo de seguridad, como protectores, varas para empujar, plantillas de guía, tablas de canto biselado, anteojos, máscaras para polvo y protección auditiva puede reducir las posibles lesiones personales. Pero ni siquiera el mejor protector puede compensar una mala decisión, un descuido o la falta de atención. Utilice siempre el sentido común y tenga precaución en el taller. Si un procedimiento parece peligroso, no lo intente. Busque un procedimiento alternativo que le parezca más seguro. **RECUERDE:** su seguridad personal es su responsabilidad.

1. **PARA SU PROPIA SEGURIDAD, LEA EL MANUAL DE INSTRUCCIONES ANTES DE UTILIZAR LA MÁQUINA.** Al aprender la aplicación, las limitaciones y los peligros específicos de la máquina, se minimizará enormemente la posibilidad de accidentes y lesiones.
2. **UTILICE EQUIPO DE SEGURIDAD CERTIFICADO.** El equipo de protección de los ojos debe cumplir con las normas ANSI Z87.1, el equipo de protección de la audición debe cumplir con las normas ANSI S3.19 y la protección con máscara antipolvo debe cumplir con las normas para respiradores certificados de MSHA/NIOSH. Las astillas, los residuos suspendidos en el aire y el polvo pueden causar irritación, lesiones y/o enfermedad.
3. **VÍSTASE ADECUADAMENTE.** No use corbata, guantes ni ropa holgada. Quítese el reloj, los anillos y otras alhajas. Súbase las mangas. La ropa o las alhajas que se enganchen en las piezas móviles pueden causar lesiones.
4. **NO UTILICE LA MÁQUINA EN UN ENTORNO PELIGROSO.** La utilización de herramientas mecánicas en lugares húmedos o mojados, o en la lluvia, puede causar descargas eléctricas o electrocución. Mantenga bien iluminada el área de trabajo para evitar tropezar o poner en peligro los brazos, las manos y los dedos.
5. **MANTENGA TODAS LAS HERRAMIENTAS Y MÁQUINAS EN CONDICIONES ÓPTIMAS.** Mantenga las herramientas afiladas y limpias para lograr el mejor y más seguro rendimiento. Siga las instrucciones de lubricación y cambio de accesorios. Las herramientas y las máquinas mal mantenidas pueden dañar más la herramienta o la máquina y/o causar lesiones.
6. **COMPRUEBE SI HAY PIEZAS DAÑADAS.** Antes de utilizar la máquina, compruebe si hay piezas dañadas. Compruebe la alineación de las piezas móviles, si las piezas móviles se atascan, si hay piezas rotas y toda otra situación que podría afectar su funcionamiento. Un protector o cualquier otra pieza que presente daños debe repararse o reemplazarse apropiadamente. Las piezas dañadas pueden causar daños adicionales a la máquina y/o lesiones.
7. **MANTENGA LIMPIA EL ÁREA DE TRABAJO.** Las áreas y los bancos desordenados invitan a que se produzcan accidentes.

8. **MANTENGA ALEJADOS A LOS NIÑOS Y A LOS VISITANTES.** El taller es un entorno potencialmente peligroso. Los niños y los visitantes pueden sufrir lesiones.
9. **REDUZCA EL RIESGO DE UN ARRANQUE NO INTENCIONADO.** Asegúrese de que el interruptor esté en la posición de apagado antes de enchufar el cable de alimentación. En caso de un apagón, mueva el interruptor a la posición de apagado. Un arranque accidental podría causar lesiones.
10. **UTILICE LOS PROTECTORES.** Asegúrese de que todos los protectores estén colocados en su sitio, sujetos firmemente y funcionando correctamente para prevenir lesiones.
11. **QUITTE LAS LLAVES DE AJUSTE Y DE TUERCA ANTES DE ARRANCAR LA MÁQUINA.** Las herramientas, los pedazos de desecho y otros residuos pueden salir despedidos a alta velocidad, causando lesiones.
12. **UTILICE LA MÁQUINA ADECUADA.** No fuerce una máquina o un aditamento a hacer un trabajo para el que no se diseñó. El resultado podría ser daños a la máquina y/o lesiones.
13. **UTILICE ACCESORIOS RECOMENDADOS.** La utilización de accesorios y aditamentos no recomendados por Black & Decker podría causar daños a la máquina o lesiones al usuario.
14. **UTILICE EL CORDÓN DE EXTENSIÓN ADECUADO.** Asegúrese de que el cordón de extensión esté en buenas condiciones. Cuando utilice un cordón de extensión, asegúrese de utilizar un cordón que sea lo suficientemente pesado como para llevar la corriente que su producto tome. Un cordón de tamaño insuficiente causará una caída de la tensión de la línea, lo cual producirá una pérdida de potencia y recalentamiento. Consulte el Cuadro de cordones de extensión para obtener el tamaño correcto dependiendo de la longitud del cordón y la capacidad nominal en amperios indicada en la placa de especificaciones. En caso de duda, utilice el próximo calibre más grueso. Cuanto más pequeño sea el número de calibre, más pesado será el cordón.
15. **SUJETE FIRMEMENTE LA PIEZA DE TRABAJO.** Utilice abrazaderas o un tornillo de carpintero para sujetar la pieza de trabajo cuando resulte práctico. La pérdida de control de una pieza de trabajo puede causar lesiones.
16. **HAGA AVANZAR LA PIEZA DE TRABAJO CONTRA EL SENTIDO DE ROTACIÓN DE LA HOJA, EL CORTADOR O LA SUPERFICIE ABRASIVA.** Si la hace avanzar desde el otro sentido, el resultado será que la pieza de trabajo salga despedida a alta velocidad.
17. **NO FUERCE LA PIEZA DE TRABAJO SOBRE LA MÁQUINA.** El resultado podría ser daños a la máquina y/o lesiones.
18. **NO INTENTE ALCANZAR DEMASIADO LEJOS.** Una pérdida del equilibrio puede hacerle caer en una máquina en funcionamiento, causándole lesiones.
19. **NO SE SUBA NUNCA A LA MÁQUINA.** Se podrían producir lesiones si la herramienta se inclina o si usted hace contacto accidentalmente con la herramienta de corte.
20. **NO DEJE NUNCA DESATENDIDA LA MÁQUINA CUANDO ESTÉ EN MARCHA. APÁGUELA.** No deje la máquina hasta que ésta se detenga por completo. Un niño o un visitante podría resultar lesionado.
21. **APAGUE LA MÁQUINA Y DESCONÉCTELA DE LA FUENTE DE ALIMENTACIÓN** antes de instalar o quitar accesorios, antes de ajustar o cambiar configuraciones o al realizar reparaciones. Un arranque accidental puede causar lesiones.
22. **HAGA SU TALLER A PRUEBA DE NIÑOS CON CANDADOS E INTERRUPTORES MAESTROS O QUITANDO LAS LLAVES DE ARRANQUE.** El arranque accidental de una máquina por un niño o un visitante podría causar lesiones.
23. **MANTÉNGASE ALERTA, FÍJESE EN LO QUE ESTÁ HACIENDO Y USE EL SENTIDO COMÚN. NO UTILICE LA MÁQUINA CUANDO ESTÉ CANSADO O BAJO LA INFLUENCIA DE DROGAS, ALCOHOL O MEDICAMENTOS.** Un momento de distracción mientras se estén utilizando herramientas mecánicas podría causar lesiones.
24. **EL POLVO GENERADO** por ciertas maderas y ciertos productos de madera puede ser perjudicial para la salud. Utilice siempre la maquinaria en áreas bien ventiladas y proporcione una remoción de polvo apropiada. Utilice sistemas de recolección de polvo siempre que sea posible.

## REGLAS DE SEGURIDAD ADICIONALES PARA LAS SIERRAS DE CINTA

**⚠ ADVERTENCIA: LEA TODAS LAS INSTRUCCIONES ANTES DE OPERAR EL PRODUCTO. EL INCUMPLIMIENTO DE LAS INSTRUCCIONES ENUMERADAS A CONTINUACIÓN PUEDE PROVOCAR UNA DESCARGA ELÉCTRICA, UN INCENDIO O LESIONES GRAVES.**

1. **NO FUNCIONE ESTA MÁQUINA** hasta que se ensamble y está instalada totalmente según las instrucciones.
2. **OBTenga ASESORAMIENTO DE SU SUPERVISOR,** instructor u otra persona calificada si no está familiarizado con la utilización de esta máquina.
3. **SIGA TODOS LOS CÓDIGOS DE CABLEADO** y las conexiones eléctricas recomendadas.
4. **UTILICE SIEMPRE EL PROTECTOR DE LA HOJA.** Controle que estén bien colocadas, bien ajustadas, sujetas y funcionando correctamente.
5. **UTILICE LA HOJA y el tipo DE HOJA APROPIADOS.**
6. **AJUSTE LA GUÍA SUPERIOR DE LA HOJA** de manera que esté aproximadamente 1/8 de pulgada por encima de la pieza de trabajo.
7. **AJUSTE ADECUADAMENTE** la tensión de la hoja, la trayectoria, las guías de la hoja y los cojinetes de soporte de la hoja.
8. **MANTENGA LOS BRAZOS, LAS MANOS Y LOS DEDOS** alejados de la hoja.
9. **EVITE LAS OPERACIONES DIFÍCILES** y las posiciones difíciles de las manos en las que un resbalón repentino podría hacer que una mano se mueva hacia la hoja.
10. **NUNCA ARRANQUE LA MÁQUINA** antes de despejar la mesa de todos los objetos (herramientas, piezas de desecho, etc.).
11. **NUNCA ARRANQUE LA MÁQUINA** con la pieza de trabajo contra la hoja.
12. **SUJETE FIRMEMENTE LA PIEZA DE TRABAJO** contra la mesa. NO intente aserrar una pieza de trabajo que no tenga una superficie plana contra la mesa.
13. **SUJETE FIRMEMENTE LA PIEZA DE TRABAJO** y hágala avanzar hacia la hoja a una velocidad moderada.
14. **NUNCA PONGA LAS MANOS DEBAJO DE LA MESA** mientras la máquina esté en marcha.
15. **APAGUE LA MÁQUINA** para retroceder de un corte incompleto o atorado.
16. **HAGA CORTES DE "ALIVIO"** antes de cortar piezas de trabajo largas.
17. **APAGUE LA MÁQUINA** y espere a que la hoja se detenga antes de limpiar el área de la hoja, quitar residuos cerca de la hoja, quitar o sujetar la pieza de trabajo, o cambiar el ángulo de la mesa. Una hoja que esté girando por inercia hasta detenerse puede ser peligrosa.

18. **NUNCA REALICE TRABAJO DE INSTALACIÓN, MONTAJE** o preparación en la mesa/área de trabajo cuando la máquina esté en marcha.
19. **APAGUE LA MÁQUINA Y DESCONÉCTELA** de la fuente de alimentación antes de instalar o quitar accesorios, antes de ajustar o cambiar las preparaciones o al hacer reparaciones.
20. **APAGUE LA MÁQUINA**, desconéctela de la fuente de alimentación y limpie la mesa/área de trabajo antes de dejar la máquina. **BLOQUEE EL INTERRUPTOR EN LA POSICIÓN DE APAGADO** para impedir el uso no autorizado.
21. **ESTA SIERRA DE CINTA ESTÁ DISEÑADA para uso en interiores solamente.**
22. **SU SIERRA DE CINTA DEBE** estar afianzada con seguridad a un estante o banquillo de taller. Si el estante o banquillo tiene la tendencia de moverse durante el funcionamiento, el estante o banquillo **DEBE** ser fijado al piso.
23. **ASEGURESE** que la hoja esté debidamente tensionada antes de accionar la sierra.
24. **ASEGURESE** que los dientes de la hoja apunten hacia abajo en dirección de la mesa.
25. **NO CORTE** material que sea demasiado pequeño para afianzar con seguridad.
26. **JAMAS** intente cortar una curva demasiado apretada para la hoja que se utiliza.
27. **EL USO** de accesorios que no sean los recomendados por Black & Decker puede resultar en el riesgo de lesionamientos.
28. **SI CUALQUIER** pieza de su sierra de cinta llegase a faltar, dañarse o fallar de cualquier modo, o si cualquier componente eléctrico deja de funcionar debidamente, apague el interruptor y quite el enchufe de la fuente de potencia. Reemplace las piezas que falten, o estén dañadas o fallidas antes de reencaminar la operación.
29. **HAY INFORMACIÓN ADICIONAL** disponible relacionada con la utilización segura y apropiada de herramientas mecánicas (por ejemplo, un video sobre seguridad) a través del Instituto de Herramientas Mecánicas, Power Tool Institute, 1300 Sumner Avenue, Cleveland, OH 44115-2851 ([www.powertool-institute.com](http://www.powertool-institute.com)). También hay información disponible a través del Consejo Nacional de Seguridad, National Safety Council, 1121 Spring Lake Drive, Itasca, IL 60143-3201. Sírvase consultar también los Requisitos de Seguridad para Máquinas de Elaboración de la Madera ANSI 01.1 del Instituto Nacional Americano de Normas (American National Standards Institute) y las normas OSHA 1910.213 del Departamento de Trabajo de los EE.UU. preparación en la mesa mientras la máquina esté encendida.

### **GUARDE ESTAS INSTRUCCIONES.**

**Refiérase a ellas con frecuencia y utilícelas para adiestrar a otros.**



## CONEXIONES A LA FUENTE DE ALIMENTACIÓN

Debe utilizarse un circuito eléctrico independiente para las máquinas. Este circuito debe tener alambre de no menos del No. 12 y debe estar protegido con un fusible de acción retardada de 20 A. Si se utiliza un cordón de extensión, utilice únicamente cordones de extensión de tres alambres que tengan enchufes de tipo de conexión a tierra con tres terminales y un receptáculo coincidente que acepte el enchufe de la máquina. Antes de conectar el máquina a la línea de alimentación, asegúrese de que el interruptor(s) esté en la posición de apagado y cerciórese de que la corriente eléctrica tenga las mismas características que las que estén indicadas en la máquina. Todas las conexiones a la línea de alimentación deben hacer buen contacto. El funcionamiento a bajo voltaje dañará el máquina.

**⚠ ADVERTENCIA: RIESGO DE DESCARGA ELÉCTRICA. NO EXPONGA LA MÁQUINA A LA LLUVIA NI LA UTILICE EN LUGARES HÚMEDOS.**

### INSTRUCCIONES DE CONEXIÓN A TIERRA

**⚠ ADVERTENCIA: RIESGO DE DESCARGA ELÉCTRICA. ESTA MÁQUINA DEBE ESTAR CONECTADA A TIERRA MIENTRAS SE ESTÉ UTILIZANDO, PARA PROTEGER AL OPERADOR CONTRA LAS DESCARGAS ELÉCTRICAS.** La máquina está cableada para corriente alterna de 120 V., 60 Hz. Antes de conectar la máquina a la fuente de alimentación, asegúrese de que el interruptor esté en la posición de apagado.

1. Todas las máquinas conectadas con cordón conectadas a tierra:

En caso de mal funcionamiento o avería, la conexión a tierra proporciona una ruta de resistencia mínima para la corriente eléctrica, con el fin de reducir el riesgo de descargas eléctricas. Esta máquina está equipada con un cordón eléctrico que tiene un conductor de conexión a tierra del equipo y un enchufe de conexión a tierra. El enchufe debe enchufarse en un tomacorriente coincidente que esté instalado y conectado a tierra adecuadamente, de acuerdo con todos los códigos y ordenanzas locales.

No modifique el enchufe suministrado. Si el enchufe no cabe en el tomacorriente, haga que un electricista calificado instale el tomacorriente apropiado.

La conexión inapropiada del conductor de conexión a tierra del equipo puede dar como resultado riesgo de descargas eléctricas. El conductor con aislamiento que tiene una superficie exterior de color verde con o sin franjas amarillas es el conductor de conexión a tierra del equipo. Si es necesario reparar o reemplazar el cordón eléctrico o el enchufe, no conecte el conductor de conexión a tierra del equipo a un terminal con corriente.

Consulte a un electricista competente o a personal de servicio calificado si no entiende completamente las instrucciones de conexión a tierra o si tiene dudas en cuanto a si la máquina está conectada a tierra apropiadamente.

Utilice únicamente cordones de extensión de tres alambres que tengan enchufes de tipo de conexión a tierra con tres terminales y receptáculos de tres conductores que acepten el enchufe de la máquina, tal como se muestra en la Fig. A.

Repáre o reemplace inmediatamente los cordones dañados o desgastados.

2. Máquinas conectadas con cordón conectadas a tierra diseñadas para utilizarse en un circuito de alimentación que tenga una capacidad nominal de menos de 150 V:

Si la máquina está diseñada para utilizarse en un circuito que tenga un tomacorriente parecido al que se ilustra en la Fig. A, la máquina tendrá un enchufe de conexión a tierra que se parece al enchufe ilustrado en la Fig. A. Puede utilizarse un adaptador temporal, que se parece al adaptador ilustrado en la Fig. B, para conectar este enchufe a un receptáculo coincidente de dos conductores, tal como se muestra en la Fig. B, si no se dispone de un tomacorriente conectado a tierra apropiadamente. El adaptador temporal debe utilizarse solamente hasta que un electricista calificado pueda instalar un tomacorriente conectado a tierra apropiadamente. La orejeta, lengüeta, etc., rígida de color verde que sobresale del adaptador debe conectarse a una toma de tierra permanente, como por ejemplo una caja tomacorriente conectada a tierra adecuadamente. Siempre que se utilice un adaptador, debe sujetarse en su sitio con un tornillo de metal.

**NOTA: En Canadá, el uso de un adaptador temporal no está permitido por el Código Eléctrico Canadiense.**

**⚠ ADVERTENCIA: RIESGO DE DESCARGA ELÉCTRICA. EN TODOS LOS CASOS, ASEGÚRESE DE QUE EL RECEPTÁCULO EN CUESTIÓN ESTÉ CONECTADO A TIERRA ADECUADAMENTE. SI NO ESTÁ SEGURO, HAGA QUE UN ELECTRICISTA CALIFICADO COMPRUEBE EL RECEPTÁCULO.**

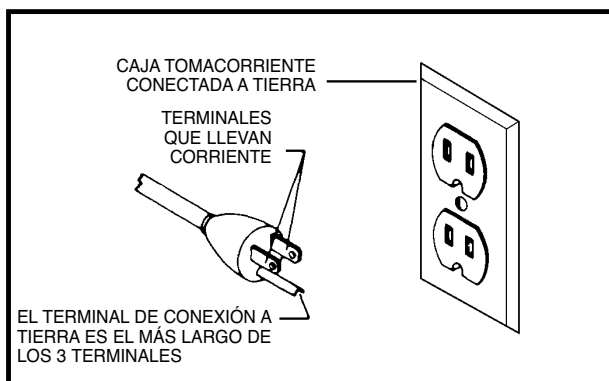


Fig. A

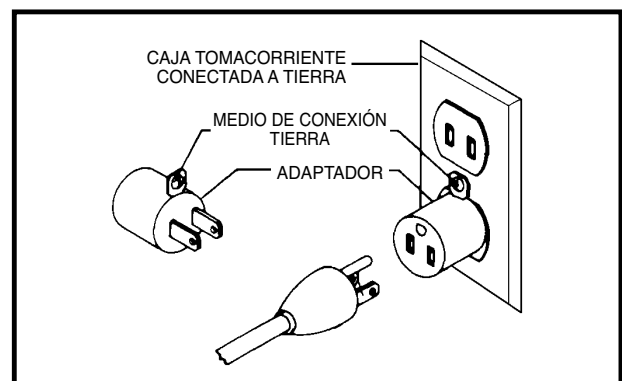


Fig. B

## CORDONES DE EXTENSIÓN

⚠ **ADVERTENCIA:** Utilice cordones de extensión apropiados. Asegúrese de que el cordón de extensión esté en buenas condiciones y de que sea un cordón de extensión de tres alambres que tenga un enchufe de tipo de conexión a tierra con tres terminales y un receptáculo coincidente que acepte el enchufe de la máquina. Cuando utilice un cordón de extensión, asegúrese de emplear un cordón que sea lo suficientemente pesado como para llevar la corriente de la máquina. Un cordón de tamaño insuficiente causará una caída de la tensión de la línea eléctrica que dará como resultado pérdida de potencia y recalentamiento. En la Fig. C se muestra el calibre correcto que debe utilizarse dependiendo de la longitud del cordón. En caso de duda, utilice el siguiente calibre más pesado. Cuanto más pequeño sea el número de calibre, más pesado será el cordón.

<b>CORDÓN DE EXTENSIÓN DE CALIBRE MÍNIMO</b>			
TAMAÑOS RECOMENDADOS PARA USO CON MÁQUINAS ELÉCTRICAS ESTACIONARIAS			
Capacidad Nominal En Amperios	Voltios	Longitud Total Del Cordon En Pies	Calibre Del Cordon De Extensión
0-6	120	Hasta 25	18 AWG
0-6	120	25-50	16 AWG
0-6	120	50-100	16 AWG
0-6	120	100-150	14 AWG
6-10	120	Hasta 25	18 AWG
6-10	120	25-50	16 AWG
6-10	120	50-100	14 AWG
6-10	120	100-150	12 AWG
10-12	120	Hasta 25	16 AWG
10-12	120	25-50	16 AWG
10-12	120	50-100	14 AWG
10-12	120	100-150	12 AWG
12-16	120	Hasta 25	14 AWG
12-16	120	25-50	12 AWG
12-16	120	NO SE RECOMIENDA LONGITUDES MAYOR DE 50 PIES	

Fig. C

## INSTRUCCIONES DE FUNCIONAMIENTO

### PREFACIO

El BDBS100 modelo es construido para la precisión y el funcionamiento. El BDBS100 modelo viene con un 3.5 AMP de gran alcance viaja en automóvil, ensamblaje superior de la guía de la lámina de estante y del piñón, ensamblaje de la inclinación del vector y una lámpara flexible.

### DESEMPAQUETADO Y LIMPIEZA

Desempaque cuidadosamente la máquina y todas las piezas sueltas que están en el contenedor o contenedores de transporte. Quite el revestimiento protector de todas las superficies no pintadas. Este revestimiento puede quitarse con un paño suave humedecido con queroseno (no utilice acetona, gasolina ni diluyente de laca para este fin). Después de realizar la limpieza, cubra las superficies no pintadas con una cera en pasta doméstica de buena calidad para pisos.

**NOTA: LA FOTO DE LA CUBIERTA DEL MANUAL ILUSTRRA EL MODELO DE PRODUCCIÓN ACTUAL. TODAS LAS DEMÁS ILUSTRACIONES SON SOLAMENTE REPRESENTATIVAS Y ES POSIBLE QUE NO MUESTREN EL COLOR, EL ETIQUETADO Y LOS ACCESORIOS REALES.**

### HERRAMIENTAS NECESARIAS PARA EL MONTAJE

- |   |                                       |
|---|---------------------------------------|
| 1.) Llave De Tuerca hexagonal De 3mm - Suministrado | 3.) destornillador principal plano    |
| 2.) Llave De Tuerca hexagonal De 4mm - Suministrado | 4.) Destornillador de cabeza Phillips |

**ESTIMACIÓN DE TIEMPO DE MONTAJE** 1 HORA O MENOS

# PARTES DE LA SIERRA DE LA VENDA DEL BANCO 9 PULG.

- |  |   |
|--|---|
| 1 - Sierra de cinta                                    | 11 - Llave de casquillo hexagonal de 3 mm |
| 2 - Lámpara  | 12 - Indicador                            |
| 3 - Abrazaderas del cordón de la lámpara (2)           | 13 - Tornillo M5x.8x10 mm                 |
| 4 - Arandelas de cierre de 1/4 pulg. (2)               | 14 - Arandela plana M10                   |
| 5 - M6x1x12mm Tornillos de cabeza cilíndrica plana (2) | 15 - Ensamblado de palanca                |
| 6 - Mesa   | 16 - Perilla del piñón                    |
| 7 - Tornillo de mariposa M6x1                          | 17 - Resorte                              |
| 8 - Arandela plana M6                                  | 18 - Tornillo especial                    |
| 9 - Tornillo M6x1x30 mm                                | 19 - Calibre de ingletes                  |
| 10 - Llave de casquillo hexagonal de 4 mm              |   |

## MONTAJE

**⚠ ADVERTENCIA: PARA SU PROPIA SEGURIDAD, NO CONECTE LA SIERRA DE CINTA A LA FUENTE DE ENERGÍA HASTA QUE LA MAQUINA ESTE COMPLETAMENTE ENSAMBLADA Y USTED HAYA LEIDO Y ENTENDIDO COMPLETAMENTE EL MANUAL DEL PROPIETARIO.**

### MONTAJE DE LA MESA A LA MAQUINA

1. Localice la palanca de cierre de mesa (ilustrada desensamblada) Fig. 4, la arandela plana M10 (B) y la llave de 4 mm (C).
2. Utilizando la llave de 4 mm (C) Fig. 4, que se suministra, quite el tornillo (D) y el resorte (E) de la agarradera (A) y quite la agarradera de la tuerca (G). Procure no perder el resorte (E).
3. Coloque la mesa (H) Fig. 5, sobre el armazón de la sierra de cinta de tal manera que el gorrón (J) Fig. 6 y los fijadores (K) sobresalgan a través de la ranura del muñón (L) Fig. 7.
4. Abra la puerta con bisagras. (véase el **OPENING DE LA SECCIÓN Y LA PUERTA CON BISAGRAS DE CIERRE.**)
5. Al hacer presión sobre el gorrón (M) Fig. 8 utilizando un lápiz, coloque la arandela plana M10 (B) Fig. 7 sobre el gorrón y atornille la tuerca (G) sobre el gorrón, como lo ilustra la Fig. 7.
6. Localice la perilla del piñón (N) Fig. 9, el resorte (O) y el tornillo especial (P).
7. Posicione la perilla del piñón (N) Fig. 10 sobre el dorso de la sierra de tal manera que los dientes de la perilla del piñón (N) queden engranados con los dientes del muñón (R). Afiáncela en su sitio con el tornillo especial (P) y el resorte, utilizando la llave de casquillo hexagonal de 4 mm que se suministra con la sierra.
8. Afiance el indicador (S) Fig. 11 al dorso de la sierra de cinta utilizando el tornillo M5x.8x10mm (T).
9. Utilizando la llave de casquillo hexagonal de 4 mm suministrada, vuelva a ensamblar la agarradera de cierre de la mesa (F) Fig. 11 en el gorrón y reponga el tornillo y resorte (D). **AVISO:** La agarradera (F) está cargada con resorte y puede reposicionarse sobre el gorrón tirando de la agarradera y reposicionándola sobre la tuerca.
10. Inserte la tuerca de M6x1x30mm (W) Fig. 12 a

través del agujero en la mesa, conforme a lo ilustrado, y afiáncela en su sitio utilizando la arandela plana M6 y la tuerca de aleta M6x1 (X).

### MONTAJE DE LA LAMPARA A LA MAQUINA

1. Monte el soporte de la lámpara (A) Fig. 13 sobre los dos agujeros localizados en la cubierta superior trasera de la máquina, utilizando para ello los dos tornillos de M6 x 12 mm y arandelas de cierre de 1/4 pulg. (B) conforme a lo ilustrado.
2. Separe el respaldo adhesivo de las abrazaderas del cordón (C) Fig. 13A y aplique una abrazadera en cada una de las localizaciones aproximadas que se ilustran. Asegúrese de que el cordón de la lámpara haya sido desviado fuera del camino, luego asegure el cordón (D) a las abrazaderas del cordón (C) conforme a lo ilustrado en la Fig. 13A.
3. La lámpara flexible funciona independientemente de la sierra de cinta. Para encender y apagar la lámpara, gire el interruptor (E) Fig. 13A.

**⚠ ADVERTENCIA: RIESGO DE INCENDIO. Para reducir el riesgo de incendio, utilice focos para reflectores sobre rieles de 40 vatios o menos y de 120 voltios (no incluidos). No debe utilizarse un foco doméstico estándar. El foco para reflectores sobre rieles no debe extenderse más allá de la pantalla de la lámpara.**

### AFIANZANDO LA SIERRA DE CINTA A LA SUPERFICIE DE APOYO

**⚠ ADVERTENCIA:** La máquina debe afianzarse entonces a la superficie de apoyo. Se proporcionan cuatro agujeros – de los cuales pueden verse tres en (A) Fig. 14 – en la base de la sierra de cinta para este propósito.

# CONTROLES DE FUNCIONAMIENTO Y AJUSTES

**⚠ ADVERTENCIA: ESTE PRODUCTO SE RECOMIENDA PARA CORTAR MADERA SOLAMENTE.**

## ARRANCANDO Y DETENIENDO LA SIERRA

El interruptor (A) Fig. 15 está localizado en el lado delantero de la sierra de cinta. Para **ENCENDER** la sierra, mueva el interruptor (A) a la posición elevada. Para **APAGAR** la sierra, mueva el interruptor (A) a la posición inferior.

## BLOQUEANDO EL INTERRUPTOR EN LA POSICION DE APAGADO

**IMPORTANTE:** Cuando la sierra caladora no esté en uso, el interruptor debe estar bloqueado en la posición de apagado. Esto puede realizarse tomando la palanca del interruptor (B) Fig. 16 y quitándola por completo de la máquina, como se ilustra. Con la palanca (B) fuera de sitio, el interruptor no funcionará. No obstante, si llegase a quitarse la palanca mientras que la máquina esté funcionando, el interruptor puede ser apagado una sola vez, pero no puede ser reactivado sin la inserción de la palanca del interruptor (B).

## ABRIENDO Y CERRANDO LA PUERTA BISAGRADA

Para el propósito de realizar ajustes tales como el cambio de la hoja, la compensación de la hoja, los ajustes a la guía de la hoja, etc., la puerta bisagrada (B) Figs. 17 y 18, debe abrirse de la siguiente manera:

**⚠ ADVERTENCIA: PIEZAS MÓVILES. RIESGO DE LACERACIÓN / PELLIZCOS: NUNCA ABRA LA PUERTA MIENTRAS LA MÁQUINA ESTÉ FUNCIONANDO. JAMAS ABRA LA PUERTA BISAGRADA CUANDO LA MAQUINA SE ENCUENTRE EN MARCHA.**

1. Presione los dos pestillos de cierre (A) Fig. 17 y abra la puerta (B).
2. La Fig. 18 enseña la puerta (B) en la posición abierta.
3. Para cerrar y afianzar la puerta (B) Figs. 17 y 18, haga presión directamente sobre los pestillos (A) Fig. 17 hasta que los pestillos queden en la posición de bloqueo emitiendo un chasquido.

## AJUSTANDO LA TENSION DE LA HOJA

Existen hojas de 1/8, 1/4 y 3/8 pulg. de ancho por 59-1/2 pulg. de largo disponibles para el uso con su sierra de cinta. **AVISO:** La tensión de la hoja debe ajustarse para acomodar distintos anchos de hoja para proporcionar la compensación de la hoja, el rendimiento de corte y la vida útil de la hoja correctas.

**⚠ ADVERTENCIA: DESCONECTE LA MAQUINA DE LA FUENTE DE ENERGIA.**

1. Después de que la hoja deseada haya sido ensamblada a las dos ruedas de la sierra de cinta, gire la perilla de tensión (A) Fig. 19 en el sentido de las agujas del reloj hasta que el resorte (B) comience a comprimirse.
2. Gire entonces la perilla de tensión (A) Fig. 19 unas 2-1/2 vueltas completas adicionales para hojas con ancho de 1/8 pulg., 3 vueltas completas adicionales para hojas de 1/4 pulg. y 4 vueltas completas adicionales para hojas de 3/8 pulg.
3. Existe un útil cuadro (C) Fig. 19 en la parte posterior de la sierra de cinta que muestra la selección de la hoja y el radio mínimo que puede cortarse con cada hoja.

## COMPENSACION DE LA HOJA

**⚠ ADVERTENCIA: DESCONECTE LA MAQUINA DE LA FUENTE DE ENERGIA.**

1. Antes de proseguir con la compensación de la hoja, asegúrese de que las guías de la hoja y los cojinetes de apoyo de la hoja estén libres de la hoja para que no interfieran con el ajuste de compensación. Asegúrese también de que la hoja cuente con la tensión debido. (Refiérase a la sección "**AJUSTANDO LA TENSION DE LA HOJA**").
2. Abra la puerta con bisagras (C) Fig. 20.
3. Gire la rueda superior (A) Fig. 20 manualmente en el sentido de las manecillas del reloj y revise si la hoja (B) monta correctamente sobre el centro aproximado de las dos ruedas.
4. Si resulta necesario efectuar un ajuste, gire la perilla de compensación de la hoja (D) Fig. 19 **LIGERAMENTE** en el sentido de las agujas del reloj para mover la hoja hacia la parte posterior, y en sentido inverso para mover la hoja hacia el frente. **AVISO:** Se requiere muy poco movimiento de la perilla de ajuste de compensación de hoja (D) para permitir que la hoja se mueva.

## AJUSTANDO EL ENSAMBLADO DE LA GUIA DE HOJA SUPERIOR

El ensamblado de la guía de hoja superior (A) Fig. 21 siempre debe fijarse a no más de 1/4" sobre o tan cerca como resulte posible de la superficie superior del material a cortarse. Afloje la perilla (B) Fig. 21, gire la perilla (C) y coloque el ensamblado de la guía (A) a la posición deseada. Apriete entonces la perilla (B).

## AJUSTANDO LAS GUIAS DE LA HOJA Y EL COJINETE DE APOYO DE LA HOJA SUPERIORES

**IMPORTANTE: TANTO LAS GUIAS SUPERIORES DE LA HOJA COMO LAS INFERIORES DEBEN ESTAR**

## **CORRECTAMENTE AJUSTADAS PARA IMPEDIR QUE LA HOJA SE TUERZA DURANTE EL FUNCIONAMIENTO.**

### **⚠ ADVERTENCIA: DESCONECTE LA MÁQUINA DE LA FUENTE DE ENERGÍA.**

1. **AVISO:** Se muestra el protector de hoja superior (B) Fig. 22 desmontado para mayor claridad.
2. Afloje los dos tornillos (C) Fig. 22 y ajuste las guías de hoja (D) lo más cercanamente posible a los lados de la hoja de la sierra, teniendo cuidado de no constreñir la hoja. Apriete entonces ambos tornillos (C).
3. Afloje el tornillo (E) Fig. 22 y mueva el soporte de guía (F) hacia adentro o hacia afuera hasta que el borde delantero de las guías (D) quede justo detrás de las "gargantas" de los dientes de la hoja. Apriete el tornillo (E).
4. El cojinete de apoyo de hoja superior (G) Fig. 22 impide que la hoja de la sierra sea empujada hacia atrás excesivamente durante el corte. El cojinete de apoyo (G) debe ser ajustado aproximadamente 1/32 pulg. detrás del borde posterior de la hoja, de manera que el borde posterior de la hoja pueda solapar el diámetro exterior del cojinete por aproximadamente 1/8 pulgada. Para ajustarlo, haga lo siguiente:

### **⚠ ADVERTENCIA: DESCONECTE LA MÁQUINA DE LA FUENTE DE ENERGÍA.**

5. Afloje el tornillo (H) Fig. 22 y deslice el cojinete de apoyo (G) hacia adentro o hacia afuera hasta que esté aproximadamente 1/32 pulg. detrás del borde posterior de la hoja de la sierra. Apriete entonces el tornillo (H).
6. El cojinete de apoyo de la hoja superior (G) Fig. 22 está fijado sobre un eje excéntrico. Para cambiar la posición del cojinete (G), afloje el tornillo (H) Fig. 22, y utilizando un destornillador recto, gire el eje (J) Fig. 23 hasta que la hoja quede correctamente solapada sobre el cojinete de apoyo. Apriete entonces el tornillo (H).

## **AJUSTANDO LAS GUÍAS DE LA HOJA Y EL COJINETE DE APOYO DE LA HOJA INFERIORES**

Las guías de la hoja y el cojinete de apoyo de la hoja inferiores deben ajustarse al mismo tiempo que las guías y el cojinete de apoyo superiores en la siguiente manera:

### **⚠ ADVERTENCIA: DESCONECTE LA MÁQUINA DE LA FUENTE DE ENERGÍA.**

1. Afloje los dos tornillos (A) Fig. 24 y mueva las guías (B) lo más cerca posible a los lados de la hoja, teniendo cuidado de no constreñir la hoja entre las guías. Apriete entonces los dos tornillos (A).
2. Los bordes delanteros de los bloques guía (B) Fig. 24 deben ajustarse de tal manera que queden justo detrás de las "gargantas" de los dientes de la hoja al aflojar el tornillo (C) y mover el ensamblado (D) hacia adentro o afuera, como resulte necesario. Apriete entonces el tornillo (C).
3. El cojinete de apoyo de la hoja inferior (E) Fig. 24 debe ajustarse para apoyar la parte trasera de la hoja durante la operación de corte, así como para impedir

que la hoja de la sierra sea empujada hacia atrás excesivamente, lo que podría resultar en daño a los dientes de la hoja. El cojinete de apoyo (E) Fig. 24 debe ser fijado aproximadamente 1/32 pulg. detrás de la hoja al aflojar el tornillo (F) Fig. 24 y moviendo el eje (G) hacia adentro o afuera. Apriete entonces el tornillo (F).

4. El cojinete de apoyo de hoja inferior (E) Fig. 24 también debe ser ajustado de tal manera que el borde posterior de la hoja pueda solapar el diámetro externo del cojinete por aproximadamente 1/8 pulgada. El cojinete de apoyo de la hoja (E) se encuentra fijado sobre un eje excéntrico. Para cambiar la posición del cojinete (E), afloje el tornillo (F) Fig. 24 y gire el eje (G) Figs. 24 y 25, utilizando un destornillador recto hasta que la hoja quede correctamente solapada sobre el cojinete de apoyo. Apriete entonces el tornillo (F) Fig. 24.

## **INCLINANDO LA MESA**

La mesa puede ser inclinada 45 grados a la derecha. Para inclinar la mesa, afloje la agarradera de cierre (A) Fig. 26 y gire la perilla (B) en el sentido de las agujas del reloj hasta establecer el ángulo deseado. Vuelva a apretar entonces la agarradera de cierre (A). **AVISO:** La agarradera de cierre de mesa (A) puede reposicionarse tirando de la agarradera y volviéndola a posicionar sobre la tuerca localizada debajo del cubo de la agarradera. Se proporciona una escala (C) y un indicador (D) para indicar el grado de inclinamiento de la mesa.

## **AJUSTANDO LOS TOPES POSITIVOS DE LA MESA**

Se proporcionan topes positivos para la mesa a 90 y 45 grados a la hoja. Para revisar y ajustar los topes positivos, haga lo siguiente:

### **⚠ ADVERTENCIA: ASEGURESE DE QUE LA MÁQUINA HAYA SIDO DESCONECTADA DE LA FUENTE DE ENERGÍA.**

1. Incline la mesa a la posición de 90 grados como lo ilustra la Fig. 27 y apriete la agarradera de cierre (A) Fig. 28. Coloque una escuadra (H) Fig. 27 sobre la mesa y contra la hoja. Revise si la hoja se encuentra a 90 grados de la superficie de la mesa. Si resulta necesario realizar cualquier ajuste, haga lo siguiente:
2. Incline la mesa ligeramente conforme a lo ilustrado en la Fig. 26, para exponer la tuerca de cierre (E) Fig. 27. Afloje la tuerca de cierre y devuelva la mesa a la posición de 90 grados. Con la agarradera de cierre (A) Fig. 28, suelta, gire el tornillo de ajuste (F) Fig. 27 utilizando la llave (G) suministrada hasta que la hoja quede a 90 grados de la mesa. Apriete entonces la tuerca de cierre (E) Fig. 27 y la agarradera de cierre (A) Fig. 28.
3. Incline la mesa a la posición de 45 grados, como lo ilustra la Fig. 28. Coloque una escuadra (H) sobre la mesa y contra la hoja, y revise si la hoja se encuentra a 45 grados de la superficie de la mesa. Si se requiere realizar cualquier ajuste, haga lo siguiente:
4. Afloje la tuerca de cierre en el tornillo de ajuste (J) Fig. 28 colocado en el lado inferior de la mesa. Con la agarradera de cierre (A) Fig. 28 aflojada, gire el tornillo de ajuste (J) con la llave (G) suministrada hasta que la hoja se encuentre a 45 grados de la mesa. Una vez realizado el ajuste, apriete la agarradera de cierre (A) y el tornillo de cierre en el tornillo de ajuste (J).

## AJUSTANDO LA TENSION DE LA CORREA

### **⚠ ADVERTENCIA: DESCONECTE LA SIERRA DE LA FUENTE DE ENERGIA.**

Si la correa de marcha de su sierra de cinta requiere ser ajustada, haga lo siguiente:

La correa (A) Fig. 29, acciona la polea de la sierra desde la polea del motor. La tensión correcta de la correa (A) es cuando hay una deflexión de aproximadamente 1/4 pulg. en el tramo central de la correa (A) presionando ligeramente con el dedo. Si la tensión de la correa requiere ser ajustada, afloje los dos tornillos (B) Fig. 30, y gire el motor en la manera correspondiente. Apriete los tornillos (B) cuando el ajuste haya sido completado.

## CAMBIO DE HOJAS

### **⚠ ADVERTENCIA: DESCONECTE LA SIERRA DE LA FUENTE DE ENERGIA.**

Para cambiar hojas, haga lo siguiente:

1. Presione los pestillos de la puerta (A) Fig. 34 y abra la puerta (B) según lo ilustrado.
2. Afloje los dos tornillos (C) Fig. 35 y quite el protector de hoja (D).
3. Suelte la tensión de la hoja de la sierra de cinta girando la perilla de tensión (E) Fig. 34 en el sentido opuesto de las agujas del reloj.
4. Quite el tornillo de alineamiento de mesa (F) Fig. 36.
5. Deslice la hoja fuera de ambas ruedas y guíela a través de la ranura en la mesa.
6. Revise la hoja nueva, asegurándose de que los dientes vayan a estar apuntados hacia la mesa después de la instalación. **SI NO, VIRE LA HOJA CON**

## OPERACION DE LA SIERRA DE CINTA

Antes de arrancar la máquina, asegúrese de que todos los ajustes hayan sido realizados correctamente y que los protectores estén en sus sitios. Gire la rueda superior manualmente para asegurar que todo esté correcto **ANTES** de encender la energía.

Mantenga la guía superior cerca del material en todo momento. No fuerce el material contra la hoja con demasiada fuerza. El contacto ligero con la hoja facilitará el seguir la línea de corte e impedirá la fricción, el calentamiento y el endurecimiento innecesario de la hoja en su borde posterior.

**MANTENGA LA HOJA DE LA SIERRA AFILADA** y descubrirá que se requiere muy poca presión delantera para el corte promedio. Mueva el material contra la hoja de manera uniforme y no más rápido de lo que proporcionará un movimiento de corte fácil.

Evite torcer la hoja tratando de doblar esquinas agudas. No olvide que debe aserrar alrededor de las esquinas.

## CORTE DE CURVAS

**⚠ ADVERTENCIA: RIESGO DE CORTE:** Mantenga las manos lejos de la hoja. Durante el corte de curvas, gire el material cuidadosamente para que la hoja pueda seguir sin torcerse. Si una curva es tan abrupta que resulta necesario moverse para atrás repetidamente y cortar una nueva entalladura, significa que se necesita una hoja más angosta, una hoja con mayor fijación o cortes de desahogo adicionales, Fig. 39, para permitir que la hoja corte con mayor eficiencia. Mientras más fijación tenga una hoja, más fácil será permitir que gire el material, pero el corte es comúnmente más basto que en donde se utilizó una cantidad mediana de fijación. Durante la retracción del pedazo que está siendo cortado, o para cambiar el corte, o por cualquier otro motivo, el operario debe tener cuidado de no sacar la hoja accidentalmente de las ruedas. En la mayoría de los casos, es más fácil y seguro girar el material y serrar hacia afuera a través del material de desperdicio en vez de tratar de quitar el material desde la hoja.

Fig. 39 Línea de corte, Cortes de desahogo, Fig. 40 La Fig. 40 ilustra una operación típica de corte de biselado utilizando una escuadra de ingletes accesorio.

### **CUIDADO DE ADENTRO HACIA AFUERA.**

7. Coloque la nueva hoja sobre las ruedas y ajuste la tensión, las guías y la compensación de la hoja en la manera descrita previamente en este manual.

8. Reponga el protector de hojas quitado durante el **PASO 2**, y el tornillo de alineamiento de mesa que fue quitado durante el **PASO 4**.

9. Cierre la puerta (B) Fig. 34 antes de poner la sierra en funcionamiento.

## CONDUCTO DE POLVO

Se suministra un conducto de polvo integral (A) Fig. 37 que viene equipado con una abertura de 1-1/2 pulg. I.D. que permite su conexión fácil a un sistema de recolección de polvo.

## ALMACENAMIENTO PARA LLAVES

Las llaves de ajuste de 3mm y 4mm (A) suministradas junto con su sierra de cinta pueden almacenarse cómodamente dentro de la tapa de la rueda, como se ilustra en la Fig. 37A.

## CALIBRE DE INGLETES (OPCIONAL)

Algunas sierras de cinta Black & Decker vienen con un calibre de ingletes. Si su máquina tiene un calibre de ingletes, usted puede ajustarlo hasta 45 grados a la derecha y a la izquierda. Afloje el pomo de fijación (A), gire el cuerpo del calibre de ingletes (B) y apriete el pomo de fijación (A).

La Fig. 38 muestra una operación típica de corte transversal utilizando una escuadra de ingletes de accesorio. Observe cómo el ensamblado de guía de hoja superior está fijado ligeramente por encima de la superficie de trabajo.

# GUIA DE LOCALIZACION DE AVERIAS

Se presentarán problemas pese al buen mantenimiento que se le dé a una sierra de cinta. La siguiente guía de localización de averías le ayudará a resolver los problemas más comunes:

**Problema:** *LA SIERRA NO ARRANCA.*

**Causa probable**

1. Sierra desenchufada.
2. Fusible fundido o disyuntor de circuitos disparado.
3. Cordón dañado.

**Problema:** *EL DISYUNTOR SE DISPARA CON FRECUENCIA.*

**Causa probable**

1. Extensión eléctrica demasiado ligera o larga.
2. Alimentación excesivamente rápida del material.
3. Hoja en mal estado (roma, acombada, pegajosa).
4. Bajo suministro de voltaje.

**Problema:** *VIBRACION EXCESIVA DE LA SIERRA DE CINTA.*

**Causa probable**

1. La máquina no está debidamente montada al banquillo de trabajo.
2. Banquillo sobre piso desigual.
3. Correa irregular.
4. Tensión incorrecta de la correa.
5. Motor no afianzado correctamente.

**Problema:** *LA SIERRA DE CINTA NO ALCANZA SU VELOCIDAD PLENA.*

**Causa probable**

1. Extensión eléctrica demasiado ligera o larga.
2. Bajo suministro de voltaje.

**Problema:** *LAS HOJAS SE ROMPEN.*

**Causa probable**

1. Tensión incorrecta de la hoja.
2. Ajuste incorrecto de las guías de hoja.
3. Cojinete de apoyo de hoja ajustado incorrectamente.
4. Ajuste de compensación de la hoja fijado incorrectamente.
5. Mala soldadura en la hoja.
6. Gomas gastadas.
7. Hoja ancha siendo forzada alrededor de radio corto.
8. Hoja roma o insuficiente fijación.
9. Guía de hoja superior fijada demasiado alta.
10. Funcionamiento continuo de la máquina cuando no se encuentra cortando.

**Problema:** *LA HOJA NO COMPENSA.*

**Causa probable**

1. Hoja demasiado suelta.
2. Ajuste incorrecto de la rueda superior.
3. Ajuste incorrecto del cojinete de respaldo.

**Problema:** *EL CORTE NO ESTA DE ACUERDO CON LA FIJACION EN LA ESCALA DE INCLINACION.*

**Causa probable**

1. Indicador desajustado.

**Remedio**

1. Enchufe la sierra.
2. Reponga el fusible o reestablezca el disyuntor de circuitos.
3. Repare el cordón.

**Remedio**

1. Reponga con una extensión de tamaño adecuado.
2. Alimente el material con mayor lentitud.
3. Limpie o reponga la hoja.
4. Comuníquese con su empresa de servicio eléctrico.

**Remedio**

1. Apriete toda la herramienta de montaje.
2. Reposicione sobre superficie plana y nivelada.
3. Reponga la correa.
4. Ajuste la tensión de la correa moviendo el motor.
5. Apriete toda la herramienta de montaje.

**Remedio**

1. Reponga con una extensión de tamaño adecuado.
2. Comuníquese con su empresa de servicio eléctrico.

**Remedio**

1. Ajuste la tensión de la hoja.
2. Revise y ajuste las guías de hoja.
3. Ajuste el cojinete de soporte de la hoja.
4. Revise y ajuste la compensación de la hoja.
5. Reponga la hoja.
6. Reponga las gomas.
7. Cambie a una hoja más angosta.
8. Reponga la hoja.
9. Fije el guía de la hoja superior lo más cerca posible al material.
10. Apague la máquina cuando no esté realizando labores de corte.

**Remedio**

1. Ajuste la tensión.
2. Ajuste la rueda superior.
3. Ajuste el respaldo.

**Remedio**

1. Ajuste el indicador.

*(sigue en la próxima página)*

# GUIA DE LOCALIZACION DE AVERIAS

(CONTINUACION)

**Problema:** LA HOJA NO PERMANECERA SOBRE LA RUEDA.

## Causa probable

1. Tensión incorrecta de la hoja.
2. Ajuste incorrecto de las guías de hoja.
3. Ajuste incorrecto del cojinete de apoyo de la hoja.
4. Fijación incorrecta del ajuste de compensación de la rueda de la hoja.
5. Mala soldadura de la hoja.
6. Gomas gastadas.

**Problema:** LA SIERRA DE CINTA REALIZA CORTES POCO SATISFACTORIOS.

## Causa probable

1. Tensión incorrecta de la hoja
2. Ajuste incorrecto de las guías de hoja.
3. Cojinete de apoyo de hoja ajustado incorrectamente.
4. Ajuste de compensación de la hoja fijado incorrectamente.
5. Mala soldadura en la hoja.
6. Gomas gastadas
7. Hoja incorrecta para la labor a realizarse.
8. Hoja roma o insuficiente fijación.
9. Guía de hoja superior fijada demasiado alta.
10. Funcionamiento continuo de la máquina cuando no se encuentra cortando.

## Remedios

1. Ajuste la tensión de la hoja.
2. Revise y ajuste las guías de hoja.
3. Ajuste el cojinete de apoyo de la hoja
4. Revise y ajuste la compensación de la hoja.
5. Reponga la hoja.
6. Reponga las gomas.

## Remedio

1. Ajuste la tensión de la hoja.
2. Revise y ajuste las guías de hoja.
3. Ajuste el cojinete de apoyo de la hoja.
4. Revise y ajuste la compensación de la hoja.
5. Reponga la hoja.
6. Reponga las gomas.
7. Cambie la hoja.
8. Reponga la hoja.
9. Fije el guía de la hoja superior lo más cerca posible al material.
10. Apague la máquina cuando no esté realizando labores de corte.

## HOJAS DE SIERRA DE CINTA

Una hoja de sierra de cinta es un pedazo de acero frágil que experimenta tensiones tremendas. Usted puede obtener un uso duradero de parte de una hoja de sierra de cinta si le da un tratamiento justo. Asegúrese de utilizar hojas del grosor, ancho y temple apropiado para la variedad de materiales que se propone cortar.

Utilice siempre la hoja más ancha posible. Utilice las hojas angostas sólo para aserrar curvas pequeñas y abruptas y para labores delicadas y finas. Esto protegerá las hojas y producirá un mejor trabajo. Se puede comprar hojas de sierra de cinta soldadas, fijadas y afiladas listas para el uso. Para el corte de madera y materiales parecidos, Black & Decker puede suministrar hojas con anchos de 1/8, 1/4, y 3/8 de pulgada. Cualquiera de varias condiciones puede causar el rompimiento de una hoja de sierra de cinta. El rompimiento de la hoja es inevitable en algunos casos, siendo la consecuencia natural de las tensiones particulares que experimenta la hoja. Sin embargo, a menudo es el resultado de falta de cuidado o de buen juicio de parte del operario en el montaje o el ajuste de la hoja o de las guías. Las causas más comunes del rompimiento de las hojas son:

- (1) alineamientos y ajustes indebidos de las guías;
- (2) forzando o torciendo una hoja ancha alrededor de una curva de radio corto;
- (3) alimentación excesivamente rápida;
- (4) desafilado de los dientes o ausencia de suficiente fijación;
- (5) tensionamiento excesivo de la hoja;
- (6) fijación de la guía superior muy por encima del material a cortarse;
- (7) el uso de una hoja con una soldadura apelmazada o indebidamente acabada, y
- (8) el funcionamiento continuo de la hoja de la sierra cuando no está en uso para cortar.

Las hojas para la nueva Sierra de Cinta de 9 pulg. 28-150 tienen una longitud de 59-1/2 pulg.

Utilice siempre una hoja afilada. Manténgala libre de chapapote y alquitrán. Limpie frecuentemente con un cepillo de fibra resistente.

Se utilizan hojas angostas para cortar círculos o curvas pequeñas mientras que las hojas más anchas son más adecuadas para el corte recto, tal como el corte a lo largo.

Debido al costo bajo de las hojas, se aconseja la compra de hojas nuevas en vez de tratar de amolarlas de nuevo.

Asegúrese de que las guías de hoja siempre estén debidamente ajustadas, como se detalló anteriormente.

No fuerce o doble la hoja alrededor de ninguna curva o radio muy corto.

Alimente el material de manera uniforme, permitiendo que la hoja corte -- no alimente con rapidez excesiva.

No aplique tensión excesiva a las hojas. La tensión es sólo necesaria para accionar la hoja sin patinar sobre las ruedas. Las hojas angostas requieren menor tensionamiento que las hojas más anchas.



## ACCESORIOS

Los accesorios que se recomiendan para la herramienta están disponibles en su distribuidor local o en el centro de mantenimiento autorizado. Si necesita ayuda con respecto a los accesorios, llame al: (55)5326-7100.

**⚠️ ADVERTENCIA:** el uso de accesorios no recomendados para utilizar con esta herramienta puede resultar peligroso.

## MANTENIMIENTO

Para limpiar la herramienta, sólo utilice jabón suave y un paño húmedo. Nunca permita que penetre líquido dentro de la herramienta y nunca sumerja ninguna de las piezas en un líquido.

**IMPORTANTE:** para garantizar la SEGURIDAD y CONFIABILIDAD del producto, las reparaciones, el mantenimiento y los ajustes (los que no estén enumerados en este manual) se deben realizar en los centros de mantenimiento autorizados o en otras organizaciones de mantenimiento calificadas, utilizando siempre piezas de repuesto idénticas.

## INFORMACIÓN DE MANTENIMIENTO

Black & Decker ofrece una amplia red de puntos de servicio propios y autorizados en toda Norteamérica. Todos los Centros de mantenimiento de Black & Decker cuentan con personal altamente capacitado dispuesto a brindar a todos los clientes un servicio eficiente y confiable en la reparación de herramientas eléctricas.

Si necesita consejo técnico, reparaciones o piezas de repuesto originales de fábrica, póngase en contacto con el centro de mantenimiento de Black & Decker más cercano a su domicilio.

Para ubicar a su servicio local, consulte "Herramientas eléctricas" (Tools-Electric) en la sección amarilla, o llame al: (55)5326-7100 [www.blackanddecker.com](http://www.blackanddecker.com)

## GARANTÍA COMPLETA DE DOS AÑOS PARA USO EN EL HOGAR

Black & Decker (EE.UU.) Inc. ofrece una garantía de dos años por cualquier defecto del material o de fabricación de este producto. El producto defectuoso se reparará o reemplazará sin costo alguno de una de las siguientes maneras: La primera opción, el reemplazo, es devolver el producto al comercio donde se lo adquirió (siempre y cuando se trate de un comercio participante). Las devoluciones deben realizarse conforme a la política de devolución del comercio (generalmente, entre 30 y 90 días posteriores a la venta). Le pueden solicitar comprobante de compra. Consulte en el comercio acerca de la política especial sobre devoluciones una vez excedido el plazo establecido.

La segunda opción es llevar o enviar el producto (con flete pago) a un Centro de mantenimiento propio o autorizado de Black & Decker para su reparación o reemplazo según nuestro criterio. Le pueden solicitar comprobante de compra. Encontrará una lista de los centros de mantenimiento autorizados y de propiedad de Black & Decker en "Herramientas eléctricas" en las páginas amarillas de la guía telefónica.

Esta garantía no se extiende a los accesorios. Esta garantía le concede derechos legales específicos que pueden variar según el estado. Ante cualquier inquietud, comuníquese con el Centro de mantenimiento de Black & Decker más cercano.

Este producto no es para uso comercial.

**REEMPLAZO GRATUITO DE LAS ETIQUETAS DE ADVERTENCIA:** Si sus etiquetas de advertencia se vuelven ilegibles o faltan, llame al (55)5326-7100 para que se le reemplacen gratuitamente.

**Para reparación y servicio de sus herramientas eléctricas, favor de dirigirse al Centro de Servicio más cercano:**

### CULIACAN, SIN

Av. Nicolás Bravo #1063 Sur  
(667) 7 12 42 11  
Col. Industrial Bravo

### GUADALAJARA, JAL

Av. La Paz #1779  
(33) 3825 6978  
Col. Americana Sector Juarez

### MEXICO, D.F.

Eje Central Lázaro Cardenas  
No. 18  
(55) 5588 9377  
Local D, Col. Obrera

### MERIDA, YUC

Calle 63 #459-A  
(999) 928 5038  
Col. Centro

### MONTERREY, N.L.

Av. Francisco I. Madero  
No.831  
(81) 8375 2313  
Col. Centro

### PUEBLA, PUE

17 Norte #205  
(222) 246 3714  
Col. Centro

### QUERETARO, QRO

Av. Madero 139 Pte.  
(442) 214 1660  
Col. Centro

### SAN LUIS POTOSI, SLP

Av. Universidad 1525  
(444) 814 2383  
Col. San Luis

### TORREON, COAH

Blvd. Independencia, 96 Pte.  
(871) 716 5265  
Col. Centro

### VERACRUZ, VER

Prolongación Díaz Mirón #4280  
(229)921 7016  
Col. Remes

### VILLAHERMOSA, TAB

Constitución 516-A  
(993) 312 5111  
Col. Centro

**PARA OTRAS LOCALIDADES LLAME AL: (55) 5326 7100**

IMPORTADOR: BLACK & DECKER S.A. DE C.V.  
BOSQUES DE RADIATAS NO. 42  
BOSQUES DE LAS LOMAS, 05120 MEXICO,  
D.F.  
TEL (55)5326-7100

Para servicio y ventas consulte  
"HERRAMIENTAS ELECTRICAS"  
en la sección amarilla.



## ESPECIFICACIONES

Tensión de alimentación: 120 V~ Potencia nominal: 357 W  
Frecuencia de operación: 60 Hz Consumo de corriente: 3,2A

# **BLACK & DECKER®**

## **SCIE À LAME RUBAN DE 9 PO (22,86 CM)**

### **MODE D'EMPLOI**



N° DE CATALOGUE  
BDBS100

MERCI D'AVOIR CHOISI BLACK & DECKER !  
VISITEZ [WWW.BLACKANDDECKER.COM/NEWOWNER](http://WWW.BLACKANDDECKER.COM/NEWOWNER)  
POUR ENREGISTRER VOTRE NOUVEAU PRODUIT.

**AVANT DE RETOURNER CE PRODUIT POUR QUELQUE RAISON QUE CE SOIT,  
COMPOSER LE  
1-800-544-6986**

AVANT D'APPELER, AYEZ EN MAIN LE N° DE CATALOGUE ET LE CODE DE DATE. DANS LA PLUPART DES CAS, UN REPRÉSENTANT DE BLACK &  
DECKER PEUT RÉSOUDRE LE PROBLÈME PAR  
TÉLÉPHONE. SI VOUS AVEZ UNE SUGGESTION OU UN COMMENTAIRE, APPELÉZ-NOUS. VOS  
IMPRESSIONS SONT CRUCIALES POUR BLACK & DECKER.

**CONSERVER CE MODE D'EMPLOI POUR UN USAGE ULTÉRIEUR.**

## LIGNES DIRECTRICES EN MATIÈRE DE SÉCURITÉ - DÉFINITIONS

Il est important que vous lisiez et compreniez ce mode d'emploi. Les informations qu'il contient concernent VOTRE SÉCURITÉ et visent à ÉVITER TOUT PROBLÈME. Les symboles ci-dessous servent à vous aider à reconnaître cette information.

**⚠ DANGER :** Indique une situation dangereuse imminente qui, si elle n'est pas évitée, causera la mort ou des graves blessures.

**⚠ AVERTISSEMENT :** Indique une situation potentiellement dangereuse qui, si elle n'est pas évitée, pourrait causer la mort ou de graves blessures.

**⚠ MISE EN GARDE :** Indique une situation potentiellement dangereuse qui, si elle n'est pas évitée, pourrait causer des blessures mineures ou modérées.

**MISE EN GARDE :** Utilisé sans le symbole d'alerte à la sécurité, indique une situation potentiellement dangereuse qui, si elle n'est pas évitée, peut résulter en des dommages à la propriété.

**⚠ AVERTISSEMENT :** Certaines poussières produites par les activités de ponçage, de sciage, de meulage, de perçage et autres activités de construction peuvent contenir des produits chimiques pouvant causer le cancer, des anomalies congénitales ou d'autres problèmes liés aux fonctions reproductrices. Voici quelques exemples de ces produits chimiques :

- le plomb contenu dans les peintures à base de plomb;
- la silice cristalline de la brique, du ciment et d'autres produits de maçonnerie; et
- l'arsenic et le chrome provenant du bois traité chimiquement.

Les risques liés à l'exposition à ces poussières varient selon la fréquence à laquelle l'utilisateur travaille avec ce type de matériaux. Pour réduire l'exposition à ces produits chimiques, travailler dans un endroit bien ventilé et porter un équipement de sécurité approuvé comme un masque antipoussières conçu spécialement pour filtrer les particules microscopiques.

- Éviter le contact prolongé avec les poussières produites par les activités de ponçage, sciage, meulage, perçage et autres activités de construction. Porter des vêtements de protection et laver les parties du corps exposées avec une solution d'eau et de savon. Le fait de laisser la poussière pénétrer dans la bouche et les yeux ou de la laisser reposer sur la peau, peut promouvoir l'absorption de produits chimiques nocifs.

**⚠ AVERTISSEMENT :** l'utilisation de cet outil peut produire et/ou propulser des poussières qui pourraient causer des problèmes respiratoires graves et permanents, ou d'autres problèmes médicaux. Toujours porter un appareil respiratoire approuvé par la NIOSH/OSHA pour se protéger de la poussière. Diriger les particules loin du visage et du corps.

**⚠ AVERTISSEMENT :** porter une protection auditive appropriée pour utiliser l'appareil. Dans certaines conditions et selon la durée d'utilisation, le bruit provoqué par ce produit peut contribuer à une perte auditive.

## RÈGLES GÉNÉRALES DE SÉCURITÉ



**⚠ AVERTISSEMENT :** LIRE TOUTES LES DIRECTIVES AVANT D'UTILISER LE PRODUIT. NÉGLIGER DE SUIVRE TOUTES LES DIRECTIVES SUIVANTES PEUT ENTRAÎNER DES RISQUES DE CHOCS ÉLECTRIQUES, D'INCENDIE ET/OU DE BLESSURES GRAVES.

## DIRECTIVES DE SÉCURITÉ IMPORTANTES

Le travail du bois peut être dangereux si des procédures de sécurité et d'utilisation ne sont pas suivies. Comme avec tout équipement, l'utilisation du produit comporte certains dangers. En utilisant cette machine avec toute la prudence requise, le risque de blessures corporelles en sera considérablement réduit. Au contraire, si les mesures de sécurité normales ne sont pas respectées ou sont ignorées, l'opérateur de l'outil peut être blessé. L'utilisation d'équipement de sécurité comme des pare-mains, des poussoirs, des dispositifs d'ancrage, des planches en éventail, des lunettes de sécurité, des masques antipoussières, des protecteurs auditifs peut réduire le risque de blessure. Cependant, même la meilleure des protections ne compense pas pour un faible jugement, une imprudence ou de l'inattention. Toujours faire preuve de jugement et être prudent dans l'atelier. Si une procédure semble dangereuse, ne pas l'essayer. Rechercher une procédure alternative qui semble plus sécuritaire. **RAPPEL :** votre sécurité personnelle est de votre responsabilité.

- 1. POUR SA PROPRE SÉCURITÉ, LIRE LE MODE D'EMPLOI AVANT D'UTILISER L'OUTIL.** L'apprentissage de l'utilisation de cet outil, des restrictions, et des risques qui lui sont inhérents réduira grandement la possibilité d'accidents et de blessures.
- 2. UTILISER UN ÉQUIPEMENT DE SÉCURITÉ HOMOLOGUÉ.** L'équipement de protection oculaire doit être conforme aux normes ANSI Z87.1, les protecteurs auditifs, aux normes ANSI S3.19 et le masque antipoussières, aux normes homologuées de la MSHA/NIOSH. Les éclats, les débris en suspension et la poussière peuvent provoquer des irritations, des blessures et /ou des maladies.
- 3. S'HABILLER DE MANIÈRE APPROPRIÉE.** Ne pas porter de cravate, gants, ou vêtements amples. Retirer montre, bagues, et autres bijoux. Relever les manches. Les vêtements ou bijoux coincés dans les pièces mobiles peuvent provoquer des blessures.
- 4. NE PAS UTILISER CET OUTIL DANS UN ENVIRONNEMENT DANGEREUX.** L'utilisation d'outils électriques dans un endroit humide ou mouillé ou sous la pluie peut provoquer un choc électrique ou une électrocution. Tenir la zone de travail bien éclairée pour éviter de trébucher ou de mettre vos bras, mains et doigts en danger.
- 5. CONSERVER TOUS LES OUTILS ET MACHINES DANS LE MEILLEUR ÉTAT POSSIBLE.** S'assurer que vos outils sont aiguisés et propres afin d'optimiser sécurité et performance. Suivre les consignes de graissage et de changement d'accessoires. Des outils et des appareils mal entretenus peuvent endommager l'outil ou l'appareil et/ou provoquer des blessures.

6. **VÉRIFIER QUE LES PIÈCES NE SONT PAS ENDOMMAGÉES.** Avant d'utiliser la machine, vérifier qu'aucune pièce n'est endommagée. Vérifier l'alignement des pièces mobiles, la présence de grippage des pièces mobiles, de bris de pièces et tout autre problème pouvant nuire au fonctionnement de l'outil. Un dispositif de protection ou toute autre pièce qui pourrait être endommagé(e) doit être réparé(e) ou remplacé(e) correctement. Les pièces endommagées peuvent contribuer à endommager davantage la machine et/ou provoquer des blessures.
7. **GARDER LA ZONE DE TRAVAIL PROPRE.** Les zones et établis encombrés sont souvent des causes d'accidents.
8. **ÉLOIGNER LES ENFANTS ET LES VISITEURS.** L'atelier représente un environnement potentiellement dangereux. Les enfants et les visiteurs peuvent être blessés.
9. **RÉDUIRE LE RISQUE DE DÉMARRAGE ACCIDENTEL.** S'assurer que l'interrupteur se trouve sur la position d'arrêt avant de brancher le cordon d'alimentation. En cas de panne de courant, mettre l'interrupteur sur la position d'arrêt. Un démarrage accidentel peut provoquer des blessures.
10. **UTILISER LES DISPOSITIFS DE PROTECTION.** Vérifier que tous les dispositifs de protection sont en place, bien fixés et qu'ils fonctionnent correctement pour éviter les blessures.
11. **RETIRER LES CLÉS ET LES CLÉS DE RÉGLAGE AVANT DE FAIRE DÉMARRER L'APPAREIL.** Des outils, chutes, et autres débris peuvent être projetés à grande vitesse, provoquant des blessures.
12. **UTILISER L'OUTIL APPROPRIÉ.** Ne forcer pas un outil ou un accessoire pour accomplir un travail pour lequel il n'est pas conçu. Cela pourrait endommager la machine et/ou causer des blessures.
13. **UTILISER LES ACCESSOIRES RECOMMANDÉS.** L'utilisation d'accessoires non recommandés par Black & Decker pourrait endommager l'appareil ou blesser l'utilisateur.
14. **UTILISER LA RALLONGE APPROPRIÉE.** S'assurer que la rallonge est en bon état. Lorsque qu'une rallonge électrique est utilisée, s'assurer d'en utiliser une de calibre suffisamment élevé pour assurer le transport du courant nécessaire au fonctionnement de l'appareil. Un cordon sousdimensionné provoquera une chute de tension, menant ainsi à une perte de courant et à une surchauffe. Se reporter au tableau des rallonges pour connaître le calibre approprié à utiliser selon la longueur de la rallonge et l'intensité nominale de la plaque signalétique. En cas de doute, utiliser le calibre suivant le plus gros. Plus le numéro de calibre est petit, plus le cordon est lourd.
15. **FIXER LA PIÈCE.** Utiliser des pinces ou un étai pour maintenir la pièce lorsque c'est possible. La perte de contrôle d'une pièce peut provoquer des blessures.
16. **ACHEMINER LA PIÈCE À CONTRE-COURANT DU SENS DE ROTATION DE LA LAME, DE LA FRAISE, OU DE LA SURFACE ABRASIVE.** En l'acheminant dans l'autre direction, la pièce sera projetée à grande vitesse.
17. **NE PAS FORCER LA PIÈCE SUR L'APPAREIL.** Cela pourrait endommager l'appareil et/ou causer des blessures.
18. **NE PAS TROP TENDRE LES BRAS.** Une perte d'équilibre peut vous faire tomber sur une machine en fonctionnement provoquant ainsi des blessures.
19. **NE JAMAIS SE TENIR DEBOUT SUR L'APPAREIL.** Si l'outil bascule, ou si vous touchez accidentellement l'outil de coupe, vous pouvez être blessé.
20. **NE JAMAIS LAISSER LA MACHINE FONCTIONNER SANS SURVEILLANCE. ÉTEINDRE L'APPAREIL.** Ne pas laisser l'appareil tant qu'il ne soit pas complètement arrêté. Un enfant ou un visiteur pourrait être blessé.
21. **ÉTEINDRE L'APPAREIL ET COUPER LE COURANT** avant d'installer ou de retirer des accessoires, avant tout réglages ou modifications de celles-ci ou lors de réparation. Un démarrage accidentel peut provoquer des blessures.
22. **METTRE L'ATELIER À L'ÉPREUVE DES ENFANTS AVEC DES CADENAS, DES INTERRUPTEURS PRINCIPAUX OU EN RETIRANT LES CLÉS DE DÉMARRAGE.** Le démarrage accidentel d'un appareil par un enfant ou par un visiteur peut causer des blessures.
23. **DEMEURER VIGILANT, SURVEILLER LE TRAVAIL EFFECTUÉ, ET FAIRE PREUVE DE JUGEMENT. NE PAS UTILISER L'APPAREIL EN CAS DE FATIGUE OU SOUS L'INFLUENCE DE DROGUES, D'ALCOOL, OU DE MÉDICAMENTS.** Un moment d'inattention en utilisant des outils électriques peut se solder par des blessures.
24. **LA POUSSIÈRE PRODUITE** par certains bois et produits du bois peut nuire à la santé. Toujours utiliser l'équipement dans des endroits bien aérés et veiller à le dépoussiérer correctement. Si possible, utiliser des systèmes de dépoussiérage. **S'ASSURER QUE L'ATELIER NE PRÉSENTE PAS DE DANGER POUR LES ENFANTS** - en utilisant des cadenas, des interrupteurs principaux, ou en retirant les clés de démarrage.

## RÈGLES DE SÉCURITÉ SUPPLÉMENTAIRES POUR LES SCIES À RUBAN

**⚠ AVERTISSEMENT : LIRE TOUTES LES DIRECTIVES AVANT D'UTILISER LE PRODUIT. NÉGLIGER DE SUIVRE TOUTES LES DIRECTIVES SUIVANTES PEUT ENTRAÎNER DES RISQUES DE CHOC ÉLECTRIQUES, D'INCENDIE ET/OU DE BLESSURES GRAVES.**

1. **NE PAS UTILISER CET OUTIL AVANT** qu'il ne soit assemblé et installé conformément aux instructions.
2. **CONSULTER** le superviseur, instructeur, ou autre personne qualifiée si vous n'êtes pas familiarisé avec le fonctionnement de cet outil.
3. **SUIVRE TOUS LES CODES DE CÂBLAGE** et les connexions électriques recommandées.
4. **TOUJOURS UTILISER LE PARE-MAIN.** Vérifier qu'ils sont bien en place, correctement réglés, fixés et fonctionnent correctement.
5. **UTILISER LA BONNE TAILLE DE LAME** et le bon type.
6. **AJUSTER LE GUIDE SUPÉRIEUR DE LA LAME** pour qu'il soit environ 3,2 mm (1/8 po) au-dessus de la pièce.
7. **AJUSTER CORRECTEMENT** la tension de la lame, l'alignement, les guides de lame et les paliers de support de la lame.
8. **TENIR LES BRAS, MAINS, ET LES DOIGTS** éloignés de la lame.
9. **ÉVITER LES OPÉRATIONS MALADROITES** et éviter de placer les mains à un endroit où un glissement soudain pourrait amener la main sur la lame.
10. **NE JAMAIS DÉMARRER L'APPAREIL** avant d'avoir débarrasser la table de tous les objets (outils, déchets de découpe, etc.).
11. **NE JAMAIS DÉMARRER L'APPAREIL** avec la pièce contre la lame.
12. **TENIR FERMEMENT LA PIÈCE** contre la table. **NE PAS** essayer de scier une pièce qui n'a pas de surface à plat contre la table.
13. **TENIR FERMEMENT LA PIÈCE** et l'acheminer sous la lame à une vitesse modérée.
14. **NE PAS SE PENCHER SOUS LA TABLE** tandis que l'appareil est en marche.
15. **ÉTEINDRE L'APPAREIL** pour reculer d'une coupe incomplète ou coincée.
16. **FAIRE DES COUPES DE « REDRESSEMENT »** avant de couper de longues courbes.
17. **ÉTEINDRE L'APPAREIL** et attendre que la lame s'arrête avant de nettoyer la section de la lame, de retirer les débris près de la lame, de retirer et de fixer la pièce ou de modifier l'angle de la table. Une lame débrayée peut être dangereuse.

18. **NE JAMAIS EFFECTUER D'OPÉRATIONS DE TRAÇAGE, D'ASSEMBLAGE,** ou d'installation du travail sur la table/l'espace de travail lorsque l'appareil est en marche.
19. **ÉTEINDRE L'APPAREIL ET COUPER LE COURANT** avant d'installer ou de retirer des accessoires, avant tout réglage ou modifications de ceux-ci ou lors de réparations.
20. **ÉTEINDRE L'APPAREIL ET** couper le courant, et nettoyer la table/l'espace de travail avant de quitter la machine. **VERROUILLER L'INTERRUPTEUR EN POSITION « D'ARRÊT »** pour éviter toute utilisation non autorisée.
21. **UTILISER LA SCIE À LAME RUBAN UNIQUEMENT À L'INTÉRIEUR.**
22. **LA SCIE À LAME RUBAN DOIT** être bien fixée à un socle ou à un établi. Si en cours de fonctionnement, le socle ou l'établi tend à se déplacer, le socle ou l'établi **DOIT** être fixé au plancher.
23. **S'ASSURER** que la lame soit à la bonne tension avant d'utiliser la scie.
24. **S'ASSURER** que les dents de la lame pointent vers le bas en direction de la table.
25. **NE PAS** couper de matériel trop petit pour être appuyé de façon sécuritaire.
26. **NE JAMAIS** essayer de couper une courbe qui est trop serrée pour la lame utilisée.
27. **L'UTILISATION** d'accessoires non recommandés par Black & Decker pourrait provoquer des risques de blessures.
28. **S'IL MANQUE** toute pièce de la scie à lame ruban, si elle est endommagée fait défaut d'une façon ou d'une autre, ou si tout composant électrique ne fonctionne pas correctement, couper le courant et retirer la fiche de la prise. Remplacer toutes pièces manquantes, endommagées ou défectueuses avant de recommencer le travail.
29. **DES INFORMATIONS SUPPLÉMENTAIRES** à propos de l'utilisation sans danger et appropriée des outils électriques (p. ex. une vidéo sur la sécurité) sont disponibles auprès du Power Tool Institute, 1300 Sumner Avenue, Cleveland, OH É.-U. 44115-2851 ([www.powertoolinstitute.com](http://www.powertoolinstitute.com)). Des informations sont également disponibles auprès du National Safety Council, 1121 Spring Lake Drive, Itasca, IL 60143-3201, É.-U. Se reporter à la norme ANSI 01.01 de l'American National Standards Institute concernant les machines de travail du bois, ainsi que la réglementation OSHA 1910.213 du département américain du travail.

### **CONSERVER CES DIRECTIVES.**

**Les consulter souvent et les utiliser pour donner des directives aux autres.**

### **CONNEXIONS ÉLECTRIQUES**

Un circuit électrique séparé doit être utilisé pour vos machines. Ce circuit doit utiliser un câble de calibre 12 au minimum et doit être protégé par un fusible temporisé de 20 A. Si vous utilisez une rallonge électrique, n'utiliser que des rallonges à 3 fils pourvues d'une fiche de mise à la terre à 3 lames et un réceptacle correspondant à la fiche de la machine. Avant de brancher la machine sur le secteur, s'assurer que le ou les interrupteurs sont en position d'arrêt et veiller à ce que le courant électrique ait bien les mêmes caractéristiques que celles indiquées sur la machine. Tous les branchements doivent établir un bon contact. Si la machine fonctionne à basse tension, elle peut être endommagée.

**⚠ AVERTISSEMENT : RISQUE DE CHOC ÉLECTRIQUE. NE PAS EXPOSER LA MACHINE À LA PLUIE NI L'UTILISER DANS UN ENDROIT HUMIDE.**

### **DIRECTIVES DE MISE À LA TERRE**

**⚠ AVERTISSEMENT : RISQUE DE CHOC ÉLECTRIQUE. CETTE MACHINE DOIT ÊTRE MISE À LA TERRE LORS DE SON UTILISATION AFIN DE PROTÉGER L'UTILISATEUR CONTRE TOUT CHOC ÉLECTRIQUE.** Votre machine est conçue pour être alimentée par un courant alternatif de 120 volts et 60 Hz. Avant de brancher la machine à la source d'alimentation, s'assurer que l'interrupteur est en position d'arrêt.

### 1. Pour toutes les machines mises à la terre, branchées à un cordon d'alimentation :

En cas de défaillance ou de panne, la mise à la terre permet un cheminement de moindre résistance pour le courant électrique afin de réduire le risque de choc électrique. Cette machine est munie d'un cordon d'alimentation doté d'un conducteur de mise à la terre d'équipement et d'une fiche de mise à la terre. La fiche doit être branchée sur une prise de courant correspondante qui est installée et mise à la terre conformément à tous les codes et à toutes les ordonnances à l'échelle locale.

Ne pas modifier la fiche fournie; si elle ne s'insère pas dans la prise de courant, faire installer une prise appropriée par un électricien professionnel.

Si le conducteur de mise à la terre d'équipement n'est pas correctement connecté, ceci peut provoquer un choc électrique. Le conducteur de mise à la terre d'équipement est le conducteur avec isolation qui a une surface extérieure verte à rayures jaunes (ou sans). S'il est nécessaire de faire réparer ou remplacer le cordon électrique ou la fiche, ne pas connecter le conducteur de mise à la terre d'équipement à une borne sous tension.

Vérifier auprès d'un électricien ou d'un personnel de réparation professionnels si les directives de mise à la terre ne sont pas parfaitement comprises, ou en cas de doute sur le fait que la machine soit correctement mise à la terre ou non.

Utiliser uniquement une rallonge à 3 fils pourvue d'une fiche de mise à la terre à 3 lames et une prise à 3 conducteurs correspondant à la fiche de la machine, comme le montre la fig. A.

Réparer ou remplacer immédiatement le cordon s'il est endommagé ou usé.

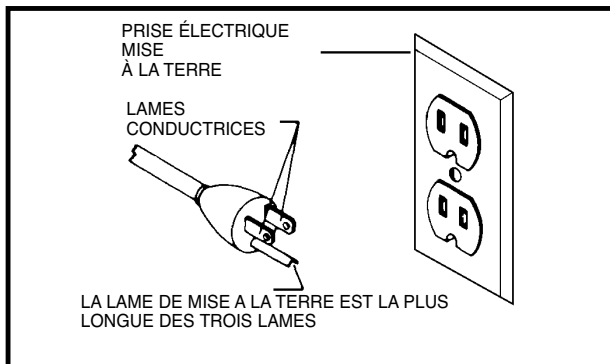


Fig. A

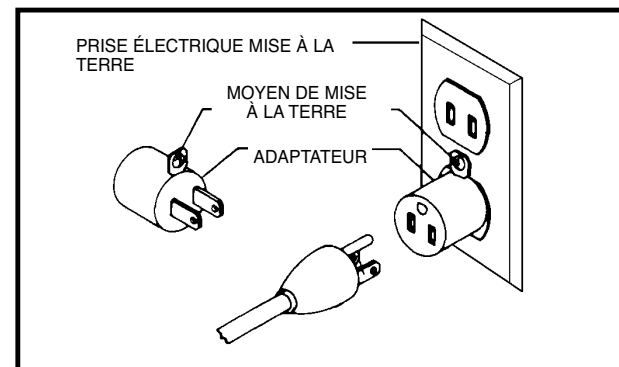


Fig. B

### 2. Pour les machines mises à la terre et branchées à un cordon d'alimentation utilisées sur un circuit d'alimentation de régime nominal inférieur à 150 V :

Si la machine est utilisée sur un circuit dont la prise de courant ressemble à celle de la figure A, la machine aura alors une fiche de mise à la terre semblable à celle de la figure A. Un adaptateur temporaire, qui ressemble à celui de la figure B, peut être utilisé pour connecter cette fiche à une prise à 2 conducteurs, comme le montre la figure B, s'il n'existe aucune prise de courant correctement mise à la terre. L'adaptateur temporaire ne doit être utilisé que jusqu'à ce qu'un électricien qualifié puisse installer une prise électrique correctement mise à la terre. L'oreille rigide et la cosse de couleur verte (et tout ensemble semblable) dépassant de l'adaptateur doivent être connectées à une mise à la terre permanente, telle qu'une prise correctement mise à la terre. Chaque fois que l'adaptateur est utilisé, il doit être maintenu en place par une vis métallique.

**REMARQUE :** au Canada, l'utilisation d'un adaptateur temporaire n'est pas autorisée par le Code électrique canadien.

**⚠ AVERTISSEMENT : RISQUE DE CHOC ÉLECTRIQUE DANS TOUS LES CAS, S'ASSURER QUE LA PRISE DE COURANT EN QUESTION EST CORRECTEMENT MISE À LA TERRE. SI VOUS N'EN ÊTES PAS SÛR, DEMANDEZ À UN ÉLECTRICIEN PROFESSIONNEL DE VÉRIFIER LA PRISE.**

## RALLONGES ÉLECTRIQUES

**⚠ AVERTISSEMENT :** Utiliser les rallonges électriques appropriées. S'assurer que la rallonge est en bon état et qu'il s'agit d'une rallonge à 3 fils avec une fiche de mise à la terre à 3 lames et prise de courant compatible avec la fiche de la machine. Lorsque qu'une rallonge électrique est utilisée, s'assurer d'en utiliser une de calibre suffisamment élevé pour assurer le transport du courant de la machine. Un cordon de calibre inférieur causera une chute de tension de ligne et donc une perte de puissance et une surchauffe. La fig. C montre le calibre correct à utiliser selon la longueur de la rallonge. En cas de doute, utiliser le calibre suivant le plus gros. Plus le numéro de calibre est petit, plus le cordon est lourd.

<b>RALLONGE DE CALIBRE MINIMUM</b>			
CALIBRES RECOMMANDÉS POUR UNE UTILISATION AVEC DES MACHINES ÉLECTRIQUES D'ÉTABLI			
Intensité nominale	Volts	Longueur totale du cordon en pieds	Calibre de la rallonge
0-6	120	jusqu'à 25	18 AWG
0-6	120	25-50	16 AWG
0-6	120	50-100	16 AWG
0-6	120	100-150	14 AWG
6-10	120	jusqu'à 25	18 AWG
6-10	120	25-50	16 AWG
6-10	120	50-100	14 AWG
6-10	120	100-150	12 AWG
10-12	120	jusqu'à 25	16 AWG
10-12	120	25-50	16 AWG
10-12	120	50-100	14 AWG
10-12	120	100-150	12 AWG
12-16	120	jusqu'à 25	14 AWG
12-16	120	25-50	12 AWG
12-16	120	SUPÉRIEURE À 50 PIEDS NON RECOMMANDÉE	

Fig. C

## DESCRIPTION FONCTIONNELLE

### AVANT-PROPOS

Le modèle BDBS100 est construit pour la précision et la performance. Le modèle BDBS100 est fourni avec un puissant moteur de 3.5 AMP un jeu de guide de lame supérieure à engrenage à crémaillère, un module de basculement de table et une lampe flexible.

### DÉSEMBALLAGE ET NETTOYAGE

Désemballer soigneusement la machine et toutes les pièces de ou des emballage(s) d'expédition. Retirer le revêtement protecteur de toutes les surfaces non peintes. Le revêtement peut être retiré avec un chiffon doux humidifié avec du kérosène (ne pas utiliser d'acétone, d'essence ou de diluant à laque). Après nettoyage, couvrir les surfaces non peintes d'une cire à parquets d'usage domestique de bonne qualité.

**AVIS : LA PHOTO DE LA COUVERTURE DU MODE D'EMPLOI ILLUSTRE LE MODÈLE DE PRODUCTION ACTUEL. LES AUTRES ILLUSTRATIONS NE SONT PRÉSENTES QU'À TITRE INDICATIF ET IL EST POSSIBLE QUE LA COULEUR, LES ÉTIQUETTES, OU LES ACCESSOIRES, QUI ONT UNIQUEMENT POUR BUT D'ILLUSTRE LA TECHNIQUE, DIFFÉRENT DES CARACTÉRISTIQUES RÉELLES DE CE MODÈLE.**

### OUTILS NÉCESSAIRES POUR L'ASSEMBLAGE

- |                                      |                            |
|--------------------------------------|----------------------------|
| 1.) Clé hexagonale de 3 mm - fournie | 3.) Tournevis à lame plate |
| 2.) Clé hexagonale de 4 mm - fournie | 4.) Tournevis cruciforme   |

### DUREE ESTIMEE POUR L'ASSEMBLAGE

une heure ou moins

# PIÈCES DE LA SCIE À LAME RUBAN DE 9 po (22,86 cm)

- |   |   |
|---|---|
| 1 - Scie à lame ruban                           | 11 - Clé hexagonale de 3 mm             |
| 2 - Lampe                                       | 12 - Pointeur                           |
| 3 - (2) Colliers de cordon de lampe             | 13 - Vis à tête cylindrique M5x.8x10 mm |
| 4 - (2) Rondelles de blocage de 6,4 mm (1/4 po) | 14 - Rondelle plate M10                 |
| 5 - (2) Vis d'assemblage M6x1x12 mm             | 15 - Module du levier                   |
| 6 - Table                                       | 16 - Bouton de pignon                   |
| 7 - Écrou à oreilles M6x1                       | 17 - Ressort                            |
| 8 - Rondelle plate M6                           | 18 - Vis spéciale                       |
| 9 - Vis à tête cylindrique M6x1x30 mm           | 19 - Jauge à onglet (Facultatif)        |
| 10 - Clé hexagonale de 4 mm                     |   |

## ASSEMBLAGE

**⚠ AVERTISSEMENT : POUR VOTRE PROPRE SÉCURITÉ, NE PAS BRANCHER L'APPAREIL À UNE SOURCE D'ALIMENTATION AVANT QUE L'APPAREIL NE SOIT ENTIÈREMENT ASSEMBLÉ, NI AVANT D'AVOIR LU ET COMPRIS L'INTÉGRALITÉ DE CE MODE D'EMPLOI**

### ASSEMBLAGE DE LA TABLE À LA MACHINE

1. Localiser le levier de verrouillage de la table (illustrée démontée) Fig. 4, rondelle plate M10 (B) et clé de 4 mm (C).
2. À l'aide de la clé 4 mm (C) fig. 4, fournie, retirer la vis (D) et le ressort (E) de la poignée (A) et retirer la poignée de l'écrou (G). Ne pas perdre le ressort (E).
3. Placer la table (H) fig. 5, sur le cadre de la scie à lame ruban pour que le goujon (J) fig. 6, et pour que les arrêteurs (K) ressortent à travers la fente du tourillon (L) fig. 7.
4. Porte ouverte à charnière. **(Se reporter à la section « OUVRIR ET FERMER LA PORTE ».)**
5. En enfonçant le goujon (M, fig. 8 avec un crayon, placer une rondelle plate M10 (B) fig. 7, sur le goujon et enfiler l'écrou (G) sur le goujon comme indiqué à la figure 7.
6. Localiser le bouton de pignon (N) fig. 9, le ressort (O) et la vis spéciale (P).
7. Placer le bouton de pignon (N) fig. 10, à l'arrière de la scie pour que les dents du bouton de pignon (N) s'engagent sur les dents du tourillon (R). Fixer en place avec la vis spéciale (P) et le ressort avec la clé fournie de 4 mm.
8. Fixer le pointeur (S) fig. 11, à l'arrière de la scie avec la vis à tête cylindrique M5x.8x10 mm (T).
9. Placer la poignée de verrouillage (F) fig. 4, sur le goujon (G). Placer le ressort (E) fig. 4, à l'intérieur du trou de la poignée de verrouillage et le fixer en place avec une vis (D) comme indiqué à la figure 11. **REMARQUE :** La poignée (F) est à ressort et peut être replacée sur le goujon en retirant la poignée et la replaçant sur l'écrou.
10. Insérer la vis M6x1x30 mm (W) fig. 12, vers le bas à travers le trou dans la table, tel qu'illustré, et placer une rondelle plate M6 (Z) sur la vis M6x1x30 mm (W) et enfiler l'écrou à oreilles M6x1 (X) sur la vis (W) et bien le resserrer.

### FIXER LA LAMPE À L'APPAREIL

1. Installer la fixation de la lampe (A) fig. 13, au couvercle supérieur de l'appareil en utilisant les deux vis d'assemblage à tête cylindrique M6x1x12 mm (B) et les rondelles freins de 6,4 mm (1/4 po) tel qu'illustré.
2. Retirer l'endos des colliers de cordon (C) fig. 13A, et appliquer un collier à chacun des endroits indiqués. S'assurer que le cordon de la lampe soit acheminé loin de la lame, puis fixer le cordon (D) aux colliers de cordon (C) tel qu'illustré sous la figure 13A.
3. La lampe flexible fonctionne indépendamment de la scie à lame ruban. Pour allumer ou éteindre la lampe, tourner l'interrupteur (E) fig. 13A.

**⚠ AVERTISSEMENT : RISQUE D'INCENDIE.** Pour réduire les risques d'incendie, utiliser une ampoule de type sur rail à réflecteur de 40 watts ou moins, 120 volts (non fournis). Ne pas utiliser d'ampoule normale résidentielle. L'ampoule de type sur rail à réflecteur ne devrait pas se prolonger sous l'abat-jour.

### FIXER LA SCIE À LAME RUBAN À LA SURFACE DE SUPPORT

**⚠ AVERTISSEMENT :** L'appareil doit être fixé à la surface de soutien. Les quatre trous sont fournis dans la base de la scie à lame ruban à cette fin dont trois sont illustrés en (A) fig. 14.



# UTILISATION DES COMMANDES ET RÉGLAGES

**⚠ AVERTISSEMENT : CE PRODUIT EST CONSEILLÉ POUR LA COUPE DU BOIS EXCLUSIVEMENT.**

## DÉMARRAGE ET ARRÊT DE LA SCIE

L'interrupteur (A) fig.15, se trouve à l'avant de la scie à lame ruban. Pour mettre la scie en marche, déplacer l'interrupteur (A) vers le haut à la position « **MARCHE** » (ON). Pour éteindre la scie, déplacer l'interrupteur (A) vers le bas jusqu'à la position « **ARRÊT** » (OFF).

## VERROUILLER L'INTERRUPTEUR À LA POSITION « ARRÊT » (OFF)

**IMPORTANT : Lorsque l'outil n'est pas utilisé, l'interrupteur devrait être verrouillé à la position d'« ARRÊT » (OFF) pour prévenir toute utilisation non autorisée.** Pour ce faire, saisir la bascule de l'interrupteur (B) fig. 16, et la tirer de l'interrupteur, tel qu'illustré. Lorsque la bascule (B) est retirée, l'interrupteur ne fonctionnera pas. Par contre, si la bascule de l'interrupteur est retirée tandis que l'appareil est en marche, l'interrupteur peut être éteint une fois, mais ne peut pas redémarrer sans insérer la bascule de l'interrupteur (B).

## OUVRIRE ET FERMER LA PORTE

Pour les réglages tels que le changement de lame, le suivi de lame, les réglages de guide de lame etc., ouvrir la porte (B) fig. 17 et 18, comme ceci :

**⚠ AVERTISSEMENT : PIÈCES MOBILES. RISQUE DE PINCEMENT/LACÉRATION : NE JAMAIS OUVRIR LA PORTE LORSQUE L'APPAREIL EST EN MARCHE.**

1. Enfoncer les deux verrous (A, fig.17) et la porte battante (B) s'ouvre.
2. La figure 18 illustre la porte (B) en position ouverte.
3. Pour fermer et ouvrir la porte (B) fig. 17 et 18, presser sur la porte directement au-dessus des verrous (A) fig. 17, jusqu'à ce que les verrous s'enclenchent en position verrouillée.

## RÉGLAGE LA TENSION DE LA LAME

Les lames de 3,2 mm, 6,4 mm et 9,5 mm (1/8 po, 1/4 po et 3/8 po) de largeur par 151 cm (59-1/2 po) de longueur sont disponibles pour votre scie à lame ruban.

**REMARQUE :** la tension de la lame doit être réglée pour accommoder différentes largeurs de lame et ainsi fournir le bon alignement de la lame, la bonne performance de coupe et la durée de vie de la lame.

**⚠ AVERTISSEMENT : DÉBRANCHER L'APPAREIL DE LA SOURCE D'ALIMENTATION.**

1. Après l'assemblage de la lame aux deux roues, tourner le bouton de tension (A) fig. 19, en sens horaire jusqu'à ce que le ressort (B) commence à se comprimer.
2. Tourner le bouton de tension (A) fig. 19, 2 1/2 tours supplémentaires pour les lames de 3,2 mm (1/8 po) de largeur, 3 tours pour celles de 6,4 mm (1/4 po) et 4 tours pour les lames de 9,5 mm (3/8 po).
3. Un tableau (C, fig. 19) est situé à l'arrière de la scie à lame ruban. Ce tableau montre la taille de lame et le rayon minimum à couper avec chaque taille de lame.

## ALIGNEMENT DE LA LAME

**⚠ AVERTISSEMENT : DÉBRANCHER L'APPAREIL DE LA SOURCE D'ALIMENTATION.**

1. Avant d'aligner la lame, s'assurer que les guides de lame et les paliers de support de lame sont dégagés de la lame pour ne pas entraver le réglage de l'alignement. S'assurer également que la tension de la lame est appropriée. (Se reporter à la section « **RÉGLAGE DE LA TENSION DE LA LAME** »).
2. Ouvrir la porte à charnière (C) fig. 20.
3. Tourner la roue supérieure (A) fig. 20, à la main en sens horaire et vérifier que la lame (B) fonctionne vraiment au centre approximatif des deux roues.
4. S'il faut un réglage, tourner UN PEU le bouton d'alignement de la lame (D) fig. 19, en sens horaire pour déplacer la lame vers l'arrière, et en sens antihoraire pour déplacer la lame vers l'avant. **REMARQUE :** tourner le bouton d'alignement de la lame (D) en petits intervalles pour ajuster la lame.

## RÉGLAGE DU MODULE DU GUIDE DE LAME SUPÉRIEURE

Le module du guide de lame supérieur (A) fig. 21, ne doit jamais dépasser 1/8 po (3,2 mm) au-dessus ou aussi près que possible de la surface supérieure de la pièce coupée.

Desserrer le bouton (B) fig. 21, tourner le bouton (C) et positionner le module du guide (A) à la position voulue. Resserrer ensuite le bouton (B).

## RÉGLAGE DES GUIDES DE LAME SUPÉRIEURE ET DU PALIER DE SUPPORT DE LAME.

**IMPORTANT : LES DEUX GUIDES DE LAME INFÉRIEURE ET SUPÉRIEURE DOIVENT ÊTRE RÉGLÉS CORRECTEMENT POUR EMPÊCHER LA LAME DE SE TORDRE PENDANT SON UTILISATION.**

### **⚠ AVERTISSEMENT : DÉBRANCHER L'APPAREIL DE LA SOURCE D'ALIMENTATION.**

1. **REMARQUE** : le dispositif de protection de lame supérieure (B) fig. 22, est illustré retiré pour une présentation plus claire.
2. Desserrer les deux vis (C) fig. 22, et régler les guides de lame (D) aussi près que possible des côtés de la lame de scie en étant prudent pour ne pas pincer la lame. Resserrer ensuite les deux vis (C).
3. Desserrer la vis (E) fig. 22, et déplacer la fixation du guide (F) vers l'intérieur ou vers l'extérieur jusqu'à ce que le bord avant des guides (D) soient juste derrière les « gorges » des dents de lame. Resserrer ensuite la vis (E).
4. Le palier de butée/support de lame supérieure (G) fig. 22, empêche que la lame de scie soit poussée trop loin pendant la coupe. Le palier de support (G) devrait être réglé à environ 1/32 po (0,79 mm) derrière la lame, pour que l'arrière de la lame chevauche le diamètre extérieur du palier à billes d'environ 1/8 po (3,2 mm). Pour le réglage, procéder comme suit :

### **⚠ AVERTISSEMENT : DÉBRANCHER L'APPAREIL DE LA SOURCE D'ALIMENTATION.**

5. Desserrer la vis (H) fig. 22, et glisser le palier de support coulissant (G) vers l'intérieur ou vers l'extérieur jusqu'à ce qu'il soit à environ 1/32 po (0,79 mm) derrière la lame de la scie.
6. Le palier de support de lame supérieure (G) fig. 22 est réglé sur un arbre à excentrique. Pour changer la position du palier (G), utiliser un tournevis droit, tourner l'arbre (J) fig. 23, jusqu'à ce que la lame chevauche correctement le palier de support. Resserre ensuite la vis (H).

## **RÉGLAGE DES GUIDES DE LAME INFÉRIEURE ET DU PALIER DE SUPPORT DE LAME**

Les guides de lame inférieure et le palier de support de lame doivent être réglés en même temps que les guides supérieurs et le palier de support comme suit :

### **⚠ AVERTISSEMENT : DÉBRANCHER L'APPAREIL DE LA SOURCE D'ALIMENTATION.**

1. Desserrer les deux vis (A) fig. 24, et déplacer les guides (B) aussi près que possible des côtés de la lame, en étant prudent pour ne pas pincer la lame. Resserrer ensuite les deux vis (A).
2. Le bord avant des blocs guides (B) fig. 24, devrait être réglé pour qu'ils soient juste derrière les « gorges » des dents de lame en desserrant la vis (C), et en déplaçant le module (D) vers l'intérieur ou vers l'extérieur au besoin. Resserrer ensuite la vis (C).
3. Le palier de support de lame inférieure (E) fig. 24, devrait être réglé pour supporter l'arrière de la lame durant la coupe et aussi pour empêcher que la lame ne soit poussée trop loin vers l'arrière ce qui pourrait endommager la lame.

Le palier de support (E) fig. 24, devrait être réglé à environ 1/32 po (0,79 mm) derrière la lame en desserrant la vis (F) fig. 24, et en déplaçant l'arbre (G) vers l'intérieur ou vers l'extérieur. Resserrer ensuite la vis (F).

4. Le palier de support de lame inférieure (E) fig. 24, devrait être aussi réglé pour que l'arrière de la lame chevauche le diamètre extérieur du palier à billes d'environ 1/8 po (3,2 mm). Le palier de support de lame (E) est réglé sur un arbre à excentrique. Pour changer la position du palier (E), desserrer la vis (F) fig. 24, et tourner l'arbre (G) fig. 24 et 25, jusqu'à ce que la lame chevauche correctement le palier de support. Puis resserrer la vis (F) fig. 24.

## **INCLINAISON DE LA TABLE**

La table peut être inclinée de 45 degrés vers la droite. Pour incliner la table, desserrer la poignée de verrouillage (A) fig. 26, et tourner le bouton (B) en sens horaire jusqu'à atteinte de l'angle souhaité. Puis resserrer la poignée de verrouillage (A). **REMARQUE** : La poignée de verrouillage de la table (A) se replace en sortant la poignée et en la replaçant sur l'écrou qui se trouve sous le moyeu de la poignée. Une échelle (C) et un pointeur (D) sont fournis pour indiquer l'angle d'inclinaison.

## **RÉGLAGE DES BUTÉES FIXES DE LA TABLE**

Les butées fixes sont fournies pour la table à un angle de 90 et 45 degrés à la lame. Pour vérifier et ajuster les butées fixes, procédez comme suit :

### **⚠ AVERTISSEMENT : DÉBRANCHER L'APPAREIL DE LA SOURCE D'ALIMENTATION.**

1. Incliner la table à une position de 90 degrés tel qu'illustré à la figure. 27, et resserrer la poignée de verrouillage (A) fig. 28. Placer une équerre (H) fig. 27, sur la table et contre la lame et vérifier si la lame est à 90 degrés sur la surface de la table. S'il faut un réglage, procéder comme suit :
2. Incliner un peu la table tel qu'illustré à la figure 26, pour exposer le contre-écrou (E) fig. 27. Desserrer le contre-écrou et remettre la table à la position de 90°. Avec la poignée de verrouillage (A) fig. 28, desserrée, tourner la vis de réglage (F) fig. 27, en utilisant la clé (G) fournie jusqu'à ce que la lame soit à 90 degrés de la table. Puis resserrer le contre-écrou (E) fig. 27, et la poignée de verrouillage (A) fig. 28.
3. Incliner la table à la position de 45 degrés tel qu'illustré à la figure 28. Placer une équerre (H) sur la table et contre la lame et vérifier si la lame est à 45 degrés sur la surface de la table. Si un réglage s'avère nécessaire, procéder comme suit :
4. Desserrer le contre-écrou sur la vis de réglage (J) fig. 28, qui se trouve sous la table. Avec la poignée de verrouillage (A) fig. 28 desserrée, tourner la vis de réglage (J) en utilisant la clé (G) fournie jusqu'à ce que la lame soit à 45 degrés de la table. Resserrer alors la poignée de verrouillage (A) et le contre-écrou sur la vis de réglage (J).

## RÉGLAGE LA TENSION DE LA COURROIE

Si la courroie d'entraînement de la scie à lame ruban doit être réglée, procéder comme suit :

**⚠ AVERTISSEMENT : DÉBRANCHER L'APPAREIL DE LA SOURCE D'ALIMENTATION.**

La courroie (A) fig. 29, entraîne la poulie de la roue de lame de la poulie du moteur. La courroie (A) à une bonne tension lorsqu'il y a une déviation d'environ 1/4 po (6,3 mm) de la portée centrale de la courroie (A) utilisant une légère pression du doigt. Si la tension de la courroie doit être réglée desserrer les deux vis (B) fig. 30, et tourner le moteur en conséquence. Resserre les vis (B) à la fin du réglage.

## CHANGEMENT DES LAMES

**⚠ AVERTISSEMENT : DÉBRANCHER L'APPAREIL DE LA SOURCE D'ALIMENTATION.**

Pour changer les lames :

1. Enfoncer les verrous de porte (A) fig. 34 et ouvrir la porte (B) tel qu'illustré.
2. Desserrer les deux vis (C) fig. 35, et retirer le dispositif de protection de lame (D).
3. Relâcher la tension sur la lame de scie à lame ruban en tournant le bouton de tension (E) fig. 34, en sens antihoraire.
4. Retirer les vis d'alignement de la table (F) fig. 36.
5. Glisser la lame hors des roues et la guider à travers la fente dans la table.
6. Vérifier la nouvelle lame pour vous assurer que les dents pointeront vers le bas dans la direction de la table après l'installation. **SINON, INVERSER LA LAME AVEC SOIN.**

## UTILISATION DE LA SCIE À LAME RUBAN

Avant de démarrer l'appareil, vérifier si tous les réglages sont bien établis et si les dispositifs de protection sont en place. Tourner la roue supérieure à la main pour vous assurer que tout soit bien en place AVANT de mettre la scie en marche.

Garder le guide supérieur à environ 1/8 po (3,2 mm) de la pièce en tout temps. Ne pas forcer le matériau contre la lame. Une légère pression sur la pièce produira une coupe plus lisse et préviendra la friction excessive, la surchauffe et le durcissement de la lame.

**TENIR LA LAME BIEN AFFÛTÉE.** Il faut très peu de pression pour une coupe normale. Déplacer la pièce lentement à vitesse régulière contre la lame pour assurer une coupe précise et lisse.

Éviter de tordre la lame en essayant de tourner les coins de manière trop serrée. Se rappeler que vous devez scier autour des coins.

## COUPE DE COURBES

**⚠ AVERTISSEMENT : RISQUE DE COUPURE : éloigner les mains de la lame.**

En coupant les courbes, tourner la pièce avec soin pour que la lame suive sans se tordre. Si une courbe est si prononcée qu'il faut continuellement reculer et couper un nouveau trait, il faudra peut-être une lame plus étroite, avec plus de jeu ou des coupes supplémentaires de redressement (fig. 39) pour permettre à la lame de couper de manière plus efficace. Plus la lame est réglée serrée, plus facile ce sera de tourner la pièce, mais la coupe est normalement plus grossière que s'il y a un réglage moyen.

En retirant la pièce coupée, en changeant la coupe ou pour toute autre raison, attention de ne pas retirer accidentellement la lame des roues. Dans la plupart des cas, il est plus facile et moins dangereux de tourner la pièce et de scier le matériau de rebut plutôt que d'essayer de retirer la pièce de la lame.

**Fig. 39**

LIGNE DE COUPE  
COUPES DE REDRESSEMENT

**Fig. 40**

La figure 40 illustre un fonctionnement typique de coupe en biseau à l'aide d'une jauge à onglet.

7. Placer la nouvelle lame sur les roues et régler la tension, les guides de lame et l'alignement selon la description précédente dans ce manuel.

8. Replacer le dispositif de protection de lame déposé à l'**ÉTAPE 2** et la vis d'alignement de la table déposé à l'**ÉTAPE 4**.

9. Fermer la porte (B) fig. 34, avant d'utiliser la scie.

## GOULOTTE DE POUSSIÈRE

Un système de cueillette de poussière peut être ajouté à la goulotte de poussière de D.E. de 1 pi (30,48 cm) (A) fig. 37.

## RANGEMENT DE LA CLÉ

Les clés de 3 et de 4 mm (A) fournies avec votre scie à lame ruban se rangent à l'intérieur du couvercle des roues tel qu'illustré à la figure 37A.

## JAUGE À ONGLET (FACULTATIF)

Certaines scies à lame ruban Black & Decker sont livrées avec une jauge à onglet. Si l'appareil en a un, le régler jusqu'à 45 degrés, vers la droite ou vers la gauche. Resserrer le bouton de verrouillage (A), tourner la jauge à onglet (B) et resserrer le bouton de verrouillage (A).

La figure 38 illustre un fonctionnement typique de tronçonnage à l'aide d'une jauge à onglet. Remarquer comment le guide de lame supérieure est réglé un peu au-dessus de la surface de travail.

# GUIDE DE DÉPANNAGE

Malgré un bon entretien de la scie à lame ruban, des problèmes peuvent surgir. Le guide de dépannage suivant vous aidera à résoudre les problèmes les plus courants.

**Problème : LA SCIE NE DÉMARRE PAS.**

**Cause probable**

1. Scie non branchée
2. Fusible grillé ou disjoncteur déclenché
3. Cordon endommagé.

**Solution**

1. Brancher la scie.
2. Remplacer le fusible ou réinitialiser le disjoncteur
3. Remplacer le cordon.

**Problème : LE DISJONCTEUR SE DÉCLENCHE FRÉQUEMMENT.**

**Cause probable**

1. La rallonge est trop légère ou trop longue.
2. Acheminement de la pièce trop rapide.
3. La lame est en mauvais état (émoussée, voilée, encollée).
4. Basse tension fournie.

**Solution**

1. La remplacer par une rallonge de taille adéquate.
2. Acheminer la pièce plus lentement.
3. Nettoyer ou remplacer la lame.
4. Contacter le fournisseur d'électricité.

**Problème : LA SCIE À LAME RUBAN VIBRE BEAUCOUP.**

**Cause probable**

1. L'appareil n'est pas bien fixée sur l'établi.
2. L'établi est sur une surface inégale.
3. Courroie usée.
4. La tension de la courroie est incorrecte.

**Solution**

1. Visser bien toute la visserie.
2. Le replacer sur une surface plane.
3. Remplacer la courroie.
4. Régler la tension de la courroie en déplaçant le moteur.
5. Visser bien toute la visserie.

5. Le moteur n'est pas bien fixé.

**Problème : LA SCIE À LAME RUBAN N'ATTEINT PAS SA VITESSE.**

**Cause probable**

1. Basse tension à cause d'une rallonge mal dimensionnée.
2. Basse tension.

**Solution**

1. La remplacer par une rallonge de taille adéquate.
2. Contacter le fournisseur d'électricité.

**Problème : LES LAMES CASSENT.**

**Cause probable**

1. La lame n'est pas à la bonne tension.
2. Guides de lame mal réglés.
3. Le palier de support de lame est mal réglé.
4. Le réglage de l'alignement de roue de lame est incorrect.
5. Mauvaise soudure de lame.
6. Pneus usés.
7. Forcer une lame large à couper avec un court rayon.
8. Lame émoussée ou réglée insuffisamment.
9. Le guide pour lame supérieure est réglé trop haut.
10. Faire fonctionner l'appareil continuellement lorsqu'il ne coupe pas vraiment.

**Solution**

1. Régler la tension de la lame.
2. Vérifier et régler les guides de lame.
3. Régler le palier de support de lame.
4. Vérifier et régler les guides de lame.
5. Remplacer la lame.
6. Remplacer les pneus.
7. Changer pour une lame plus étroite.
8. Remplacer la lame.
9. Régler le guide de lame supérieure à 1/8 po (32 mm) de la pièce.
10. Éteindre l'appareil lorsque vous ne coupez pas.

**Problème : LA LAME NE S'ALIGNE PAS**

**Cause probable**

1. Lame trop lâche
2. La roue supérieure est mal réglée.
3. Palier de support de lame mal réglé.

**Solution**

1. Régler la tension
2. Régler la roue supérieure.
3. Régler le palier de support de lame.

# GUIDE DE DÉPANNAGE

**Trouble:** LA COUPE NE SUIT PAS LE RÉGLAGE SUR L'ÉCHELLE D'INCLINAISON.

**Cause probable**

1. Pointeur dérégulé

**Solution**

1. Régler le pointeur

**Trouble:** LA LAME NE RESTE PAS SUR LA ROUE.

**Cause probable**

1. La tension de la lame n'est pas appropriée.
2. Les guides de lame sont mal réglés.
3. Le palier de support de lame est mal réglé.
4. La roue de la lame est mal réglée.
5. Mauvaise soudure de lame.
6. Pneus usés.

**Solution**

1. Régler la tension de la lame.
2. Vérifier et régler les guides de lame.
3. Régler le palier de support de lame.
4. Vérifier et régler les guides de lame.
5. Remplacer la lame.
6. Remplacer les pneus.

**Trouble:** LA SCIE À LAME RUBAN COUPE DE MANIÈRE INSATISFAISANTE.

**Cause probable**

1. La tension de la lame n'est pas appropriée.
2. Les guides de lame sont mal réglés.
3. Le palier de support de lame est mal réglé.
4. La roue de la lame est mal alignée.
5. Mauvaise soudure de lame.
6. Pneus usés.
7. Lame inadéquate pour le travail effectué.
8. Lame émoussée ou réglée insuffisamment.
9. Le guide pour lame supérieure est réglé trop haut. (32 mm) de la pièce.
10. Faire fonctionner l'appareil continuellement lorsqu'il opère de coupe.

**Solution**

1. Régler la tension de la lame.
2. Vérifier et régler les guides de lame.
3. Régler le palier de support de lame.
4. Vérifier et régler les guides de lame.
5. Remplacer la lame.
6. Remplacer les pneus.
7. Changer la lame.
8. Remplacer la lame.
9. Régler le guide de lame supérieure à 1/8 po (32 mm) de la pièce.
10. Éteindre l'appareil lorsque vous ne coupez pas.

## LAMES DE SCIE À LAME RUBAN

Une lame de scie à lame ruban est une pièce d'acier délicate qui doit supporter beaucoup d'effort. Une utilisation correcte de la scie à lame ruban vous offrira un rendement prolongé. S'assurer que les lames soient de la bonne épaisseur, largeur et dureté pour les divers types de matériaux et coupes.

Toujours utiliser la lame la plus large possible. Utiliser des lames étroites seulement pour les petites coupes, les courbes prononcées et le travail fin et délicat. Ceci protégera les lames et produira de meilleures coupes. Pour couper le bois et autres matériaux semblables, Black & Decker offre des lames des largeurs suivantes : 1/8 po, 1/4 po et 3/8 po (3,2 mm, 6,4 mm et 9,5 mm).

Il y a plusieurs raisons pour qu'une lame de scie à lame ruban se casse. Le bris de lame peut être inévitable dans certains cas car c'est le résultat naturel de stress sur la lame. Les lames casseront souvent pour des raisons évitables, comme le manque d'entretien de la lame ou un mauvais réglage de la lame. Les causes les plus courantes de bris de lame sont :

- (1) les mauvais alignements et réglages des guides.
- (2) forcer ou tordre une lame large autour d'une courbe de court rayon.
- (3) acheminer la pièce trop rapidement sur la lame.
- (4) dents émoussées ou mauvais réglage.
- (5) tension excessive de la lame.
- (6) guide supérieur réglé trop haut au-dessus de la pièce à couper.
- (7) utilisation d'une lame avec une soudure ou un brasage de finition irrégulier ou incorrect.
- (8) le fonctionnement continu de la lame de scie lorsqu'elle n'est pas utilisée.

Utiliser des lames de 59 pieds (14,98 m) de longueur sur cet appareil.

Utiliser toujours une lame tranchante. La garder libre de gomme et de goudron. La nettoyer fréquemment avec une brosse de à soies dures. Les lames étroites sont utilisées pour couper de petits cercles ou courbes tandis que les lames larges conviennent mieux pour les coupes droites comme le sciage en long.

Une nouvelle lame fonctionnera mieux dans la plupart des cas et durera plus longtemps qu'une lame réaffûtée. S'assurer que les guides de lame sont réglés correctement.

Ne pas forcer ou tordre la lame autour d'une courbe ou d'un rayon très court.

Acheminer la pièce à travers la lame à un rythme constant et laisser la lame couper - ne pas acheminer pas la pièce trop rapidement.

Ne pas appliquer de pression excessive sur la lame. La tension n'est nécessaire que pour entraîner la lame sans glisser sur les roues. Les lames étroites exigent moins de tension que les lames plus larges.

## ACCESSOIRES

Les accessoires recommandés pouvant être utilisés avec l'outil sont disponibles auprès de votre distributeur local ou centre de réparation autorisé. Pour tout renseignement concernant les accessoires, composer le : **1-800-544-6986**

**⚠ AVERTISSEMENT :** l'utilisation de tout accessoire non recommandé avec l'outil pourrait s'avérer dangereuse.

## ENTRETIEN

N'utiliser qu'un détergent doux et un chiffon humide pour nettoyer l'outil. Ne jamais laisser de liquide pénétrer dans l'outil et n'immerger aucune partie de l'outil dans un liquide.

**IMPORTANT :** pour garantir la SÉCURITÉ et la FIABILITÉ du produit, les réparations, l'entretien et le réglage (autre que ceux énumérés dans ce mode d'emploi) doivent être réalisés par un centre de réparation autorisé ou tout autre centre de réparation professionnel, et les des pièces de rechange identiques doivent être utilisées.

## INFORMATION SUR LES SERVICES

Black & Decker dispose d'un réseau complet composé de centres de service et de centres autorisés situés partout en Amérique du Nord. Tous les centres de service Black & Decker sont dotés de personnel qualifié en matière d'outillage électrique; ils sont donc en mesure d'offrir à leur clientèle un service efficace et fiable. Pour obtenir un conseil technique ou une pièce d'origine ou pour faire réparer un outil, on peut communiquer avec le centre Black & Decker le plus près. Pour obtenir le numéro de téléphone, consulter les pages jaunes sous la rubrique "Outils - électriques" ou composer le **1 800 544-6986 (1-800-54-HOW-TO) www.blackanddecker.com**.

## GARANTIE COMPLÈTE DE DEUX ANS POUR USAGE RÉSIDENTIEL

Black & Decker (U.S.) Inc. garantit ce produit pour une période de deux ans contre tout défaut de matériel ou de fabrication. Le produit défectueux sera remplacé ou réparé sans frais, suivant l'une des deux méthodes suivantes. La première méthode consiste en un échange seulement. On doit retourner le produit au détaillant qui l'a vendu (pourvu qu'il s'agisse d'un détaillant participant), en respectant les délais stipulés dans sa politique relative aux échanges (normalement de 30 à 90 jours après la vente). Une preuve d'achat peut être requise. On doit vérifier la politique de retour du détaillant pour tout produit retourné après le délai prescrit pour les échanges.

La deuxième méthode consiste à apporter ou à envoyer le produit (prépayé) à un centre Black & Decker ou à un centre de service autorisé aux fins de réparation ou de remplacement, selon notre choix. Une preuve d'achat peut être requise. Les centres Black & Decker et les centres de service autorisés sont répertoriés dans les pages jaunes sous la rubrique «Outils - électriques».

Cette garantie ne s'applique pas aux accessoires. Elle confère des droits légaux particuliers à l'acheteur, mais celui-ci pourrait aussi bénéficier d'autres droits variant d'un territoire à l'autre.

Toute question doit être adressée au gérant du centre Black & Decker le plus près.

Ce produit n'est pas destiné à un usage commercial.

**Remplacement gratuit de l'étiquette d'avertissement :** En cas de perte ou d'endommagement des étiquettes d'avertissement, composer le **1 800 544-6986** afin d'en obtenir de nouvelles sans frais.

Imported by / Importé par  
Black & Decker Canada Inc.  
100 Central Ave.  
Brockville (Ontario) K6V 5W6

Voir la rubrique "Outils électriques"  
des Pages Jaunes  
pour le service et les ventes.

